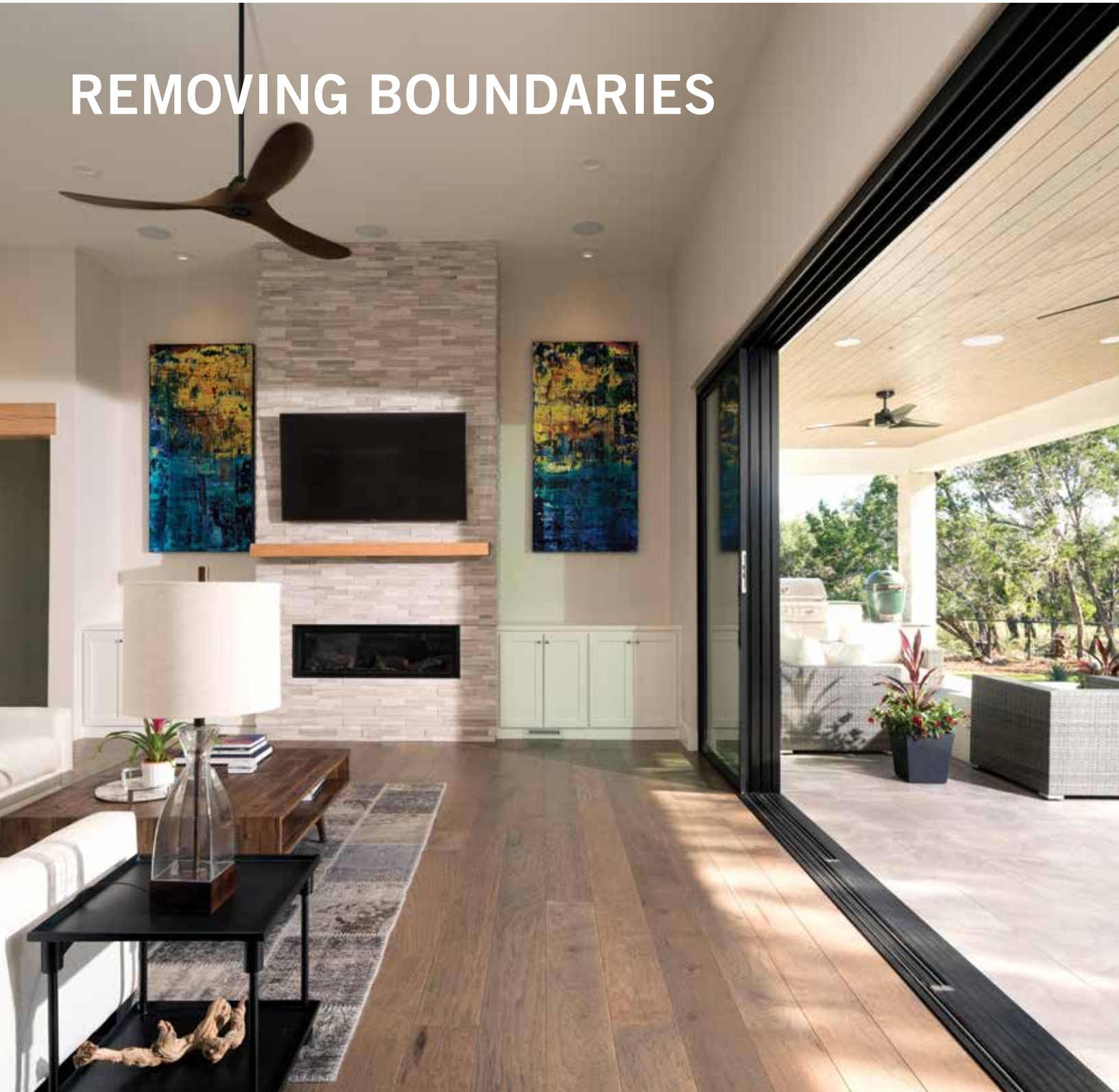




REMOVING BOUNDARIES





CONTENTS

- 4 MultiGlide™ Doors**
Features, accessories, automation, sizes and door details
- 22 Folding Outswing Doors**
Features, accessories, sizes and door details
- 33 Performance**



CREATE
Spectacular Spaces



BIG DOORS

With Big Doors from Andersen, blur the lines between indoors and out and create spectacular spaces for relaxing, entertaining or just being.

The MultiGlide™ and Folding Outswing Doors, as part of the Architectural Collection, not only connect a home to the outdoors, they can be customized to fit any aesthetic from contemporary to traditional. These doors are engineered for smooth and easy operation, feature low-maintenance exteriors and are available in an array of style options and configurations to transform any space into something extraordinary.

Enjoy breathtaking views and instill a sense of open space with panels that hide in plain sight, flush sills that create a seamless transition and narrow profiles that maximize light.

And like all Andersen® products, they are supported by over 115 years of commitment to quality and service that can only come from one of the most trusted names in the industry.

Create distinction and bring your vision to life with Big Doors from Andersen.
For more information, visit andersenwindows.com/bigdoors.

MULTIGLIDE™ DOORS

- 6 Features & Options
- 8 Exterior & Interior Options
- 9 Design Criteria
- 10 Styles & Sizing
- 10 Pocketing Sizing & Configurations
- 13 Stacking Sizing & Configurations
- 15 Door Details
- 33 Performance





WALK Through Walls

MULTIGLIDE™ DOORS

FEATURES

MultiGlide doors are available as an expansive wall of glass or as a pass-through window for outdoor entertaining areas. They're available in stacking and pocketing configurations with one-directional or two-directional panel operation and built to fit openings between 4' 11 1/8" (1502) and 50' (15240) wide and between 4' (1219) and 10' (3048) tall*. Custom sizes available in 1/8" (3) increments.

Frame

A The frame is made of 6063-T6 extruded aluminum. Pultruded thermally controlled frame option for increased performance is available for clad wood panels only.

B Continuous weatherstrip is designed to provide an effective air and water barrier, while enabling smooth operation.

C Frames paired with aluminum panels are available in eight popular options, including two anodized finishes. For doors with clad wood panels, interior jambs are available in wood species and finishes to match the panels. Standard exterior finish meets AAMA 2604. An optional finish that meets AAMA 2605 is available.

Built-in Jacking Screws



Built-in jacking screws make installation easier. Jacking screws positioned within side and head jambs serve as built-in shims enabling fine adjustments during installation. Precision adjustments enable frame and panels to interact as designed during initial installation and throughout the life of the product for smooth operation.

Sill

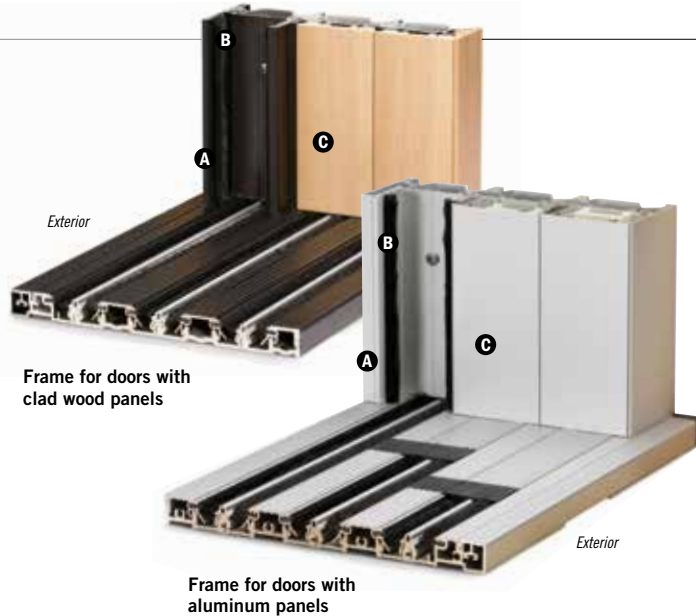
Two sill types are available: flush sill and on-floor drainage sill. Both sills are made of heavy-duty extruded 6005-T5 aluminum providing strength and rigidity.

Flush Sill

Flush sill is designed to project only 3/16" (5) above the finished floor, creating a seamless transition from inside to outside. Finish is clear anodized. Flush sill is not tested for water performance.



Material between rails shown to represent flooring



On-Floor Drainage Sill

The on-floor drainage sill is designed with built-in drainage channels, spaced out every 17" (432) to 24" (610) depending on overall width. Available in clear anodized or dark bronze anodized finishes.

Exterior and interior ramps for on-floor drainage sill are designed to assist in complying with sliding door threshold height requirements where mandated by the Federal Fair Housing Act (FFHA), Americans with Disabilities Act (ADA), and state and local building codes depending on final installation.** See page 15 for threshold and ramp options. Interior ramp cannot be used with optional raised threshold.



Exterior Ramp



Interior Ramp

An optional raised threshold for on-floor drainage sill enhances performance to PG30 rating on select sizes†



Raised Threshold

Panels

For added design flexibility, contemporary panels are available in a sleek, aluminum option or an aluminum-clad wood option for warmth on the inside. Contemporary aluminum panels feature 2 3/4" (70) stiles and rails. Contemporary clad wood panels feature 2 3/4" (70) lock jamb stiles and rails with reinforcements at interlocks.

Traditional panels are available in aluminum-clad wood. Traditional clad wood panels feature 4 1/16" (119) stiles and top rail with 4 1/16" (119), 8" (203) or 12" (305) bottom rail heights.

Thermally controlled units use aluminum-clad wood panels. Panel widths can be 28" (711) to 60" (1524).

Contemporary Panel

2 3/4" rails and stiles



Traditional Panel

8" bottom rail shown, 4 1/16" and 12" bottom rail also available

Glass

Panels are silicone bed glazed and finished with an interior stop. Ovolo (colonial) or contemporary glass stops are available on clad wood panels. Contemporary glass stops are used on aluminum panels.

Glass spacer bars are available in stainless steel or optional black.

High-Performance glass options include:

Dual-pane:

- Low-E4® tempered glass
- Low-E4 HeatLock® tempered glass
- Low-E4 Sun tempered glass
- Low-E4 SmartSun™ tempered glass
- Low-E4 SmartSun HeatLock tempered glass
- Low-E4 PassiveSun® tempered glass

Triple-pane for greater energy performance:

- Low-E4 tempered glass
- Low-E4 Enhanced tempered glass
- Low-E4 SmartSun tempered glass
- Low-E4 SmartSun Enhanced tempered glass

Additional glass options are available. Contact your Andersen supplier.

A removable translucent film helps shield the glass from damage during delivery and construction and simplifies finishing at the jobsite.

Hardware

Roller Wheels



Continuously adjustable synthetic roller wheels with stainless steel sealed ball-bearings provide smooth, quiet operation. Cycle tested 25,000 times for proven operation, the 1 3/8" (41) contoured rollers perfectly match the track to reduce lateral vibrations and increase ease of operation.

* Opening dimensions are rough openings.

** Information about mandatory requirements for door threshold heights and other applicable accessibility requirements for doors under the FFHA and ADA can be found by visiting <http://www.fairhousingfirst.org> and <http://www.ada.gov>.

† 191" (4851) x 95.5" (2426) MultiGlide door tested to Class LC-PG30. Specifiers and design professionals should also consult state and local building codes applicable to the building for any additional accessibility requirements.

Dimensions in parentheses are in millimeters.



Locking System

Sleek, low-profile hardware design allows panels to be stacked. Keyed and non-keyed options are available.

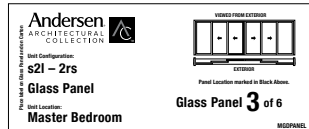


The MultiGlide™ door has an adjustable two-point locking system providing intuitive adjustment. Equipped with laminated stainless steel hooks and an anti-slam device to prevent damage to the side jamb.

Packaging

Modular packaging design enables easier handling without the need for onsite equipment. Heaviest package designed for a minimum of four people. Smallest package weighs less than 100 lbs/45 kg.

Smart labeling provides quick inventory assessment, product identification, along with installation location designation.

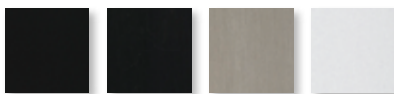


HARDWARE Sold separately. Keyed and non-keyed options are available.



Black Oil Rubbed Bronze Satin Nickel White

HARDWARE FINISHES



Black Oil Rubbed Bronze Satin Nickel White

ACCESSORIES Sold separately.

Insect Screen

Rigid, heavy-duty extruded 6063-T6 aluminum-framed gliding insect screen, equipped with smooth synthetic rollers and premium flush hardware. Features 2 3/4" (70) even sight lines to maximize view. Long-lasting fiberglass screen mesh with a charcoal finish comes standard. Frames are available in all exterior colors and finishes, and in single-panel and multi-panel configurations.

Grilles

For contemporary aluminum panels, Finelight™ grilles-between-the-glass are available in 3/8" (16) flat or 1" (25) contoured profiles.

For contemporary clad wood and traditional clad wood panels, grilles are available in ovolo and contemporary profiles in Full Divided Light and Simulated Divided Light styles in 7/8" (22), 1 1/8" (29) and 1 1/2" (38) widths. Removable wood grilles and Finelight grilles-between-the-glass are also available.

Hardware

Handle Heights

For doors fitting rough openings between 5' 10" (1778) to 6' 8" (2032), two handle locations are available. A standard handle height of 38" (965) from the bottom of the panel or a lower handle height of 18" (457) from the bottom of the panel.

For doors fitting rough openings between 4' (1219) to 5' 9 1/8" (1775), the standard handle height is 18" (457) from the bottom of the panel.

Exterior Keyed Lock



A five-pin exterior keyed lock is available for all MultiGlide doors. This lock allows the door to be locked and unlocked from the exterior.

Edge Pull



Premium spring return edge pull is optional on stacking configurations and standard on pocketing configurations to move lead panel out of the pocket. Finish is satin nickel.

Automated Open/Close System*



Adding optional automation on MultiGlide doors delivers the ultimate in ease of use. Doors can be opened or closed with the touch of a button, creating wide open spaces in the most convenient way.

- Automation is available on all stacking and pocketing door configurations
- Operate using an interior touchpad and weatherproof exterior secure keypad
- Includes safety features such as overhead motion sensors and obstruction detection
- Battery backup included to keep the system secure
- Able to be connected to a home automation system
- Automation system meets UL325 Certification
- Installed by third-party certified installers at the jobsite
- Backed by a 5-year limited warranty

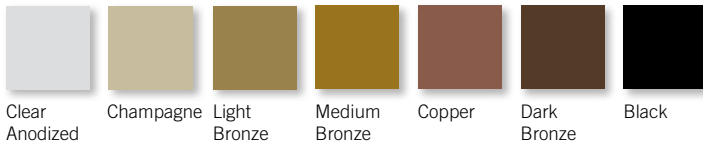
* Automation is not available for doors with panels that are less than 36" (914) in width. Insect screens are not automated with this feature. Oil rubbed bronze is a "living" finish that will change with time and use. Dimensions in parentheses are in millimeters.

MULTIGLIDE™ DOORS

ALUMINUM-CLAD WOOD DOOR EXTERIOR

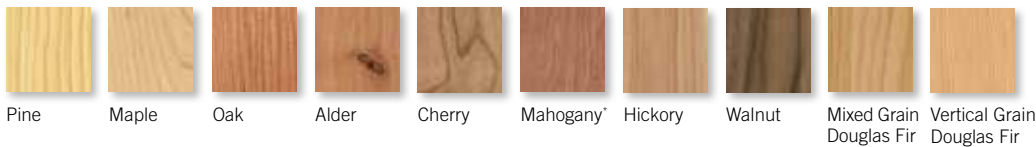


ANODIZED FINISH OPTIONS



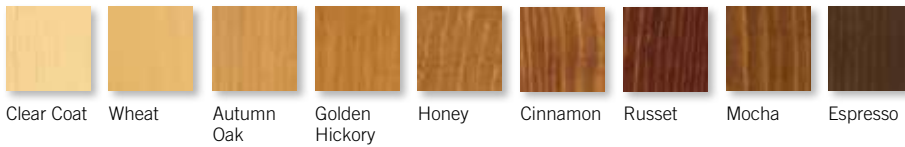
INTERIOR

WOOD SPECIES



Naturally occurring variations in grain, color and texture of wood make each door one of a kind. All wood interiors are unfinished unless a painted option is specified.

FACTORY-FINISHED INTERIORS



PAINTED OPTIONS Available on pine.



ALUMINUM DOOR EXTERIOR & INTERIOR



* Actual wood species is either Sapele or Sipo, both non-endangered species grown in Africa, with color and characteristics similar to Central American mahoganies.

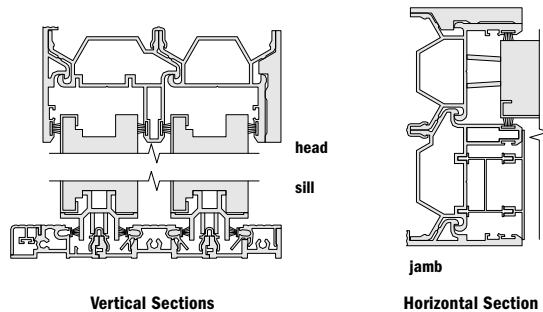
** Dark bronze and black also available on maple.

† Anodized silver available on maple only.

Printing limitations prevent exact replication of colors and finishes. See your Andersen supplier for actual color and finish samples.

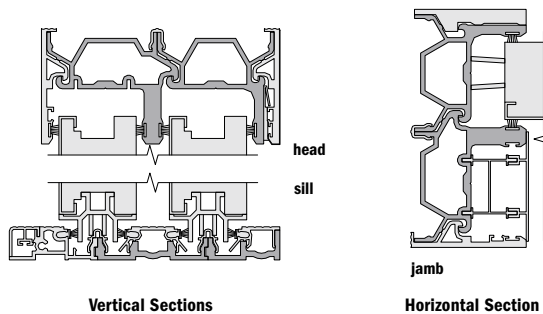
Aluminum Frame

Aluminum-clad panels shown. Aluminum panels also available.



Thermally Controlled Frame

Aluminum-clad panels shown, dark-colored area indicates pultruded components. Aluminum panels not available thermally controlled.



Design Criteria

For specific design, sizing and installation information, visit andersenwindows.com/multiglide.

To allow for proper performance and operation, verify the structural integrity of the header such that the maximum deflection with live and dead loads is calculated using the L/750 criteria and $\frac{1}{4}$ " (6) as a maximum. The lower surface of the header must be continuous and at a minimum $1\frac{1}{2}$ " (38) of thickness to allow for proper embedment of installation screws. The surface dimensions are defined in the specifications of the Site Preparation Information found by visiting andersenwindows.com/multiglide.

Special consideration should be taken in the case of a window set above the opening header. An adequate structural header must be set between any window and the head of the MultiGlide™ door. No direct joining to the MultiGlide door is allowed.

For important installation information, see page 37.

Weight of Door

The MultiGlide door system is a bottom-bearing door system. When considering structural requirements for subfloor, the dead load is 100 lbs/ft or 149 kg/m. Deflection over the entire sill span cannot be greater than $\frac{1}{8}$ " (3).

Dead Loads

Dead loads MUST be applied to the structure prior to installation.

Live Loads

Live loads are dynamic and will vary per region, exposure, occupancy, etc. An engineer will design the structure around the door based on a worst-case or fully loaded (anticipated live and known dead load) condition. Live loads can be: snow, ice, water, wind, etc. Headers should be designed to accommodate a worst-case live load scenario.

Pocket Door Applications

For MultiGlide doors with pocket(s), it is best to frame the interior pocket wall after door installation or to leave off sheathing for ease of installation.

Automation

Stacking Configuration

For MultiGlide doors with either an on-floor or flush sill, a minimum of 12" (305) open stud bay must be directly adjacent to the rough opening end where the stationary panel is located for motor installation. For doors with two-direction panel operation, a minimum of 6" (152) open stud bay is required for the side opposite where the motor is located to accommodate the return pulley. The motor can be installed on either side for doors with two-direction panel operation. Installation of the motor requires additional wall depth. See horizontal details in the Site Preparation Information Guide by visiting andersenwindows.com/multiglide.

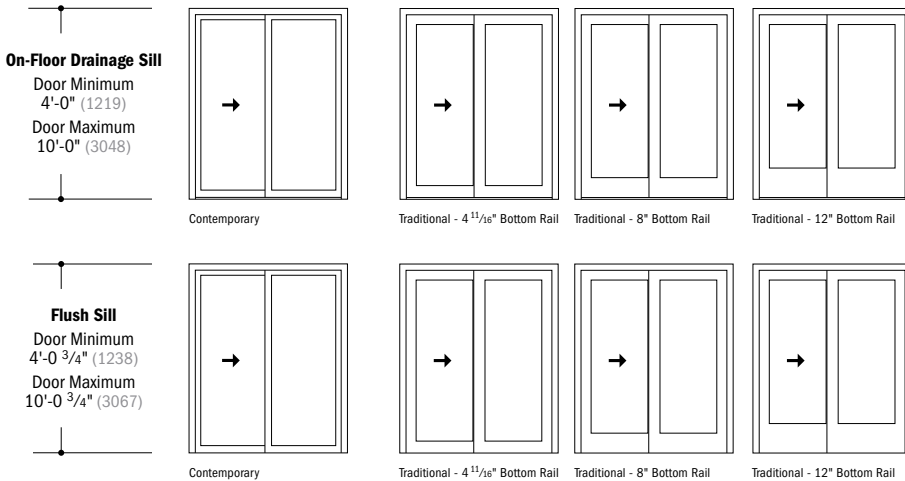
Pocketing Configuration

For MultiGlide doors with either an on-floor or flush sill, the pocket width must be increased by a minimum of 12" (305) to allow for motor installation. For doors with two-direction panel operation, the pocket width must be increased by a minimum of 6" (152) for the side opposite where the motor is located to accommodate the return pulley. The motor can be installed in either pocket for doors with two-direction panel operation. Installation of the motor requires additional pocket depth. See horizontal details in the Site Preparation Information Guide by visiting andersenwindows.com/multiglide.

MULTIGLIDE™ DOORS

Styles and Sizes

CUSTOM HEIGHTS (rough opening dimensions provided)



Custom sized in 1/8" (3) increments. Contact your Andersen supplier for additional dimensions and specifications.

Choose contemporary panels or one of three traditional style panels. Panel widths from 28" (711) to 60" (1524). For doors with on-floor drainage sill, panel heights are from 36 1/2" (927) to 116 1/2" (2959). For doors with flush sill, panel heights are from 36" (914) to 117" (2972).

Note: For on-floor drainage sill, rough opening dimensions are from floor to header. For flush sill, dimensions are from 1 1/2" (38) below the finished floor to header. Shim space between the head jamb and rough opening is 1/2" (13). For flush sill, shim space below the sill is 1/4" (6).

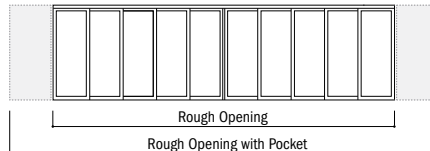
POCKETING DOORS WITH TWO-DIRECTION PANEL OPERATION

JAMB DEPTHS*

Number of Panels & Handing	Without Insect Screen	Single-Panel Insect Screen	Multi-Panel Insect Screen
2-Panel, 1L-1R	2 7/8" (73)	5 3/8" (137)	n/a
4-Panel, 2L-2R	5 3/8" (137)	7 7/8" (200)	10 3/8" (264)
6-Panel, 3L-3R	7 7/8" (200)	10 3/8" (264)	1'-3 3/8" (391)
8-Panel, 4L-4R	10 3/8" (264)	1'-0 7/8" (327)	1'-8 3/8" (518)
10-Panel, 5L-5R	1'-0 7/8" (327)	1'-2 3/8" (365)	2'-1 3/8" (645)
12-Panel, 6L-6R	1'-2 3/8" (365)	1'-4 7/8" (429)	2'-6 3/8" (772)

*On-floor drainage sill extends 3/4" (19) to the exterior, optional exterior ramp extends 2 1/8" (52) to the exterior and optional interior sill ramp extends 1 3/8" (35) to the interior.

CUSTOM WIDTHS (rough opening dimensions provided)



CONTEMPORARY PANELS	
Number of Panels & Handing	Rough Opening Minimum to Maximum
2-Panel, 1L-1R	5'-0 1/4" (1530) to 10'-4 1/8" (3153) with pocket: 10'-4 1/2" (3162) to 21'-0 3/8" (6410)
4-Panel, 2L-2R	9'-3 7/8" (2842) to 19'-10 5/8" (6061) with pocket: 14'-8 3/4" (4489) to 30'-6 1/4" (9303)
6-Panel, 3L-3R	13'-7 1/2" (4153) to 29'-5 1/8" (8969) with pocket: 19'-0 1/2" (5804) to 40'-0 1/2" (12205)
8-Panel, 4L-4R	17'-11 1/8" (5464) to 38'-11 5/8" (11877) with pocket: 23'-4 1/4" (7118) to 40'-7" (12370)
10-Panel, 5L-5R	22'-2 3/4" (6776) to 40'-10 1/8" (12449) with pocket: 27'-8" (8433) to 49'-11" (15215)
12-Panel, 6L-6R	26'-6 3/8" (8087) to 41'-11 7/8" (12798) with pocket: 31'-11 1/8" (9731) to 49'-11" (15215)

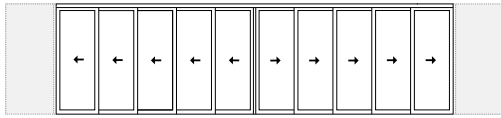
TRADITIONAL PANELS	
Number of Panels & Handing	Rough Opening Minimum to Maximum
2-Panel, 1L-1R	5'-0 1/4" (1530) to 10'-4 1/8" (3153) with pocket: 10'-4 1/2" (3162) to 21'-0 3/8" (6410)
4-Panel, 2L-2R	8'-11 5/8" (2734) to 19'-7 1/2" (5982) with pocket: 14'-4" (4369) to 30'-3 3/4" (9239)
6-Panel, 3L-3R	12'-10 7/8" (3934) to 28'-10 3/4" (8807) with pocket: 18'-3 1/8" (5566) to 39'-6 7/8" (12062)
8-Panel, 4L-4R	16'-10 1/4" (5137) to 38'-2 1/8" (11636) with pocket: 22'-2 1/2" (6769) to 48'-10 3/8" (14894)
10-Panel, 5L-5R	20'-9 1/2" (6337) to 40'-8" (12395) with pocket: 26'-1 3/4" (9855) to 49'-11 7/8" (15237)
12-Panel, 6L-6R	20'-9 1/2" (6337) to 41'-9 1/2" (12738) with pocket: 25'-5 7/8" (7769) to 49'-11 7/8" (15237)

*Shim space between unit dimension and rough opening is 1/2" (13) on each side.
 *For detailed sizing information, visit andersenwindows.com/multiglide or contact your Andersen supplier.

*Dimensions in parentheses are in millimeters.

POCKETING DOORS WITH TWO-DIRECTION PANEL OPERATION (continued)

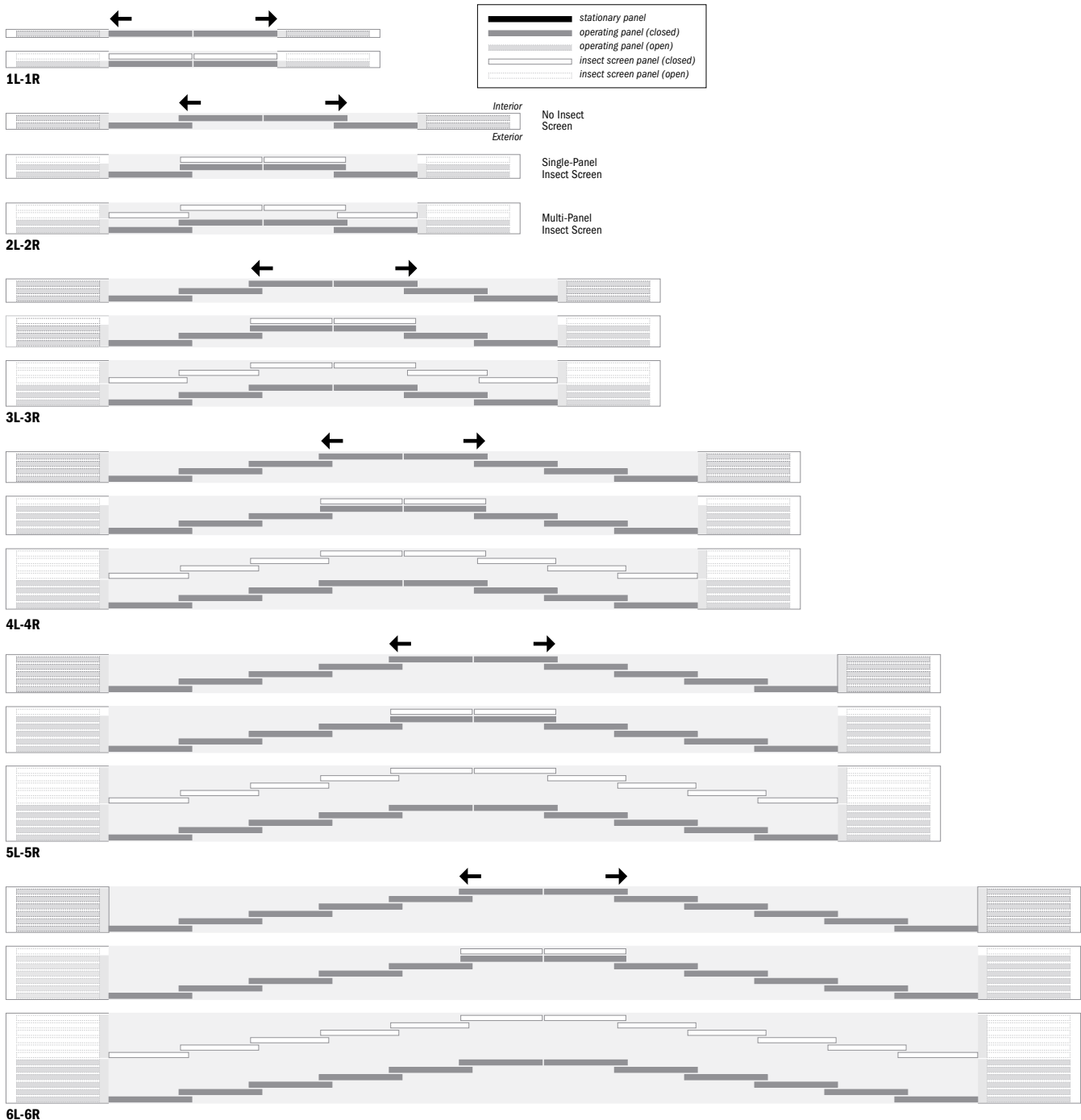
Configurations



Pocketing Doors with Two-Direction Panel Operation (Interior Stacking)

Pocketing doors with two-direction panel operation as viewed from the exterior. Doors stack to the interior. Number of panels and width dimensions vary based on panel style and configuration. Flush sill and contemporary panels is shown. On-floor drainage sill and/or traditional panels also available. Details shown on pages 15-18.

POCKETING DOORS WITH TWO-DIRECTION PANEL OPERATION



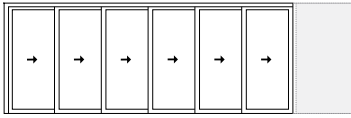
*Dimensions in parentheses are in millimeters.

*Pocketing configurations are available with one insect screen per pocket, reducing jamb depth. Multi-panel insect screens are an option to screen the entire opening.

MULTIGLIDE™ DOORS

POCKETING DOORS WITH ONE-DIRECTION PANEL OPERATION*

Configurations



Pocketing Doors with One Direction Panel Operation (Interior Stacking)

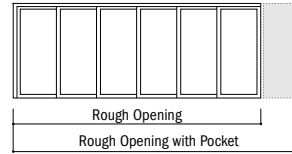
Pocketing doors with one-direction operating panels (left or right) as viewed from the exterior. Doors stack to the interior. Number of panels and width dimensions vary based on panel style and configuration.† Flush sill and contemporary panels shown above. On-floor drainage sill and/or traditional panels also available. Details shown on page 15-18.

JAMB DEPTHS**

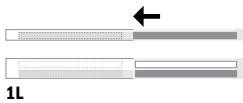
Number of Panels & Handing	Without Insect Screen	Single-Panel Insect Screen	Multi-Panel Insect Screen
1-Panel, 1L/1R	2 7/8" (73)	5 3/8" (137)	n/a
2-Panel, 2L/2R	5 3/8" (137)	7 7/8" (200)	10 3/8" (264)
3-Panel, 3L/3R	7 7/8" (200)	10 3/8" (264)	1'-3 3/8" (391)
4-Panel, 4L/4R	10 3/8" (264)	1'-0 7/8" (327)	1'-8 3/8" (518)
5-Panel, 5L/5R	1'-0 7/8" (327)	1'-3 3/8" (391)	2'-1 3/8" (645)
6-Panel, 6L/6R	1'-3 3/8" (391)	1'-5 7/8" (454)	2'-6 3/8" (772)

**On-floor drainage sill extends 3/4" (19) to the exterior, optional exterior ramp extends 2 1/16" (52) to the exterior and optional interior sill ramp extends 1 3/8" (35) to the interior.

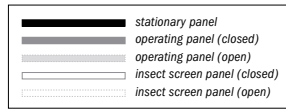
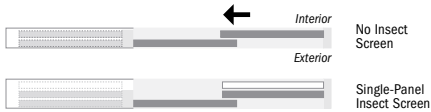
CUSTOM WIDTHS (rough opening dimensions provided)



POCKETING DOORS WITH ONE-DIRECTION PANEL OPERATION



Left pocketing shown, right pocketing also available (i.e. **1R, 2R, 3R, 4R, 5R, 6R**) as viewed from the exterior.



*Dimensions in parentheses are in millimeters.

*See your Andersen supplier for availability.

†Pocketing configurations default to one insect screen per pocket, reducing jamb depth. Multi-panel insect screens are an option to fill the entire opening.

CONTEMPORARY PANELS

Number of Panels & Handing	Rough Opening Minimum to Maximum
1-Panel, 1L/1R	2'-8 3/8" (822) to 5'-4 3/8" (1635) with pocket: 5'-4 1/2" (1638) to 10'-8 1/2" (3264)
2-Panel, 2L/2R	4'-10 1/4" (1480) to 10'-1 5/8" (3089) with pocket: 7'-6 3/4" (2305) to 15'-5 3/4" (4718)
3-Panel, 3L/3R	7'-0" (2134) to 14'-10 7/8" (4543) with pocket: 9'-8 1/2" (2959) to 20'-3" (6172)
4-Panel, 4L/4R	9'-1 7/8" (2791) to 19'-7 7/8" (5991) with pocket: 11'-10 1/2" (3620) to 24'-11 1/2" (7607)
5-Panel, 5L/5R	11'-3 5/8" (3445) to 24'-5 3/8" (7452) with pocket: 14'-0 1/4" (4274) to 29'-9" (9068)
6-Panel, 6L/6R	13'-5 1/2" (4102) to 29'-2 5/8" (8906) with pocket: 16'-2 1/8" (4931) to 34'-6 1/4" (10522)

TRADITIONAL PANELS

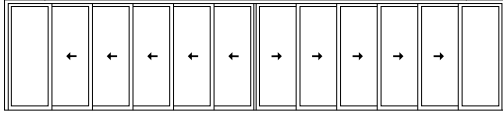
Number of Panels & Handing	Rough Opening Minimum to Maximum
1-Panel, 1L/1R	2'-8 3/8" (822) to 5'-4 3/8" (1635) with pocket: 5'-4 1/2" (1638) to 10'-8 1/2" (3264)
2-Panel, 2L/2R	4'-8 1/8" (1426) to 10'-0" (3048) with pocket: 7'-4 3/8" (2245) to 15'-4 1/8" (4677)
3-Panel, 3L/3R	6'-7 3/4" (2026) to 14'-7 5/8" (4461) with pocket: 9'-4" (2845) to 19'-11 3/4" (6090)
4-Panel, 4L/4R	8'-7 3/8" (2626) to 19'-3 1/4" (5874) with pocket: 11'-3 1/2" (3442) to 24'-7 3/8" (7503)
5-Panel, 5L/5R	10'-7" (3226) to 23'-10 7/8" (7287) with pocket: 13'-3 1/8" (4042) to 29'-2 7/8" (8912)
6-Panel, 6L/6R	12'-6 3/4" (3829) to 28'-6 5/8" (8703) with pocket: 15'-2 7/8" (4645) to 33'-10 3/4" (10331)

*Shim space between unit dimension and rough opening is 1/2" (13) on each side.

*For detailed sizing information, visit andersenwindows.com/multiglides or contact your Andersen supplier.

INTERIOR STACKING DOORS WITH TWO-DIRECTION PANEL OPERATION

Configurations



Interior Stacking Doors with Two-Direction Panel Operation

Interior stacking doors with two-direction panel operation as viewed from the exterior. Number of panels and width dimensions vary based on panel style and configuration. Flush sill and contemporary panels shown above. On-floor drainage sill and/or traditional panels also available. Details shown on page 15 and pages 19-21.

JAMB DEPTHS*

Number of Panels & Handing	Without Insect Screen	Single-Panel Insect Screen	Multi-Panel Insect Screen
4-Panel, S1L-1RS	5 3/8" (137)	n/a	7 7/8" (200)
6-Panel, S2L-2RS	7 7/8" (200)	n/a	1'-0 7/8" (327)
8-Panel, S3L-3RS	10 3/8" (264)	n/a	1'-5 7/8" (454)
10-Panel, S4L-4RS	1'-0 7/8" (327)	n/a	1'-10 7/8" (581)
12-Panel, S5L-5RS	1'-2 3/8" (365)	n/a	1'-5 7/8" (454)

*On-floor drainage sill extends 3/4" (19) to the exterior, optional exterior ramp extends 2 1/16" (52) to the exterior and optional interior sill ramp extends 1 3/8" (35) to the interior.

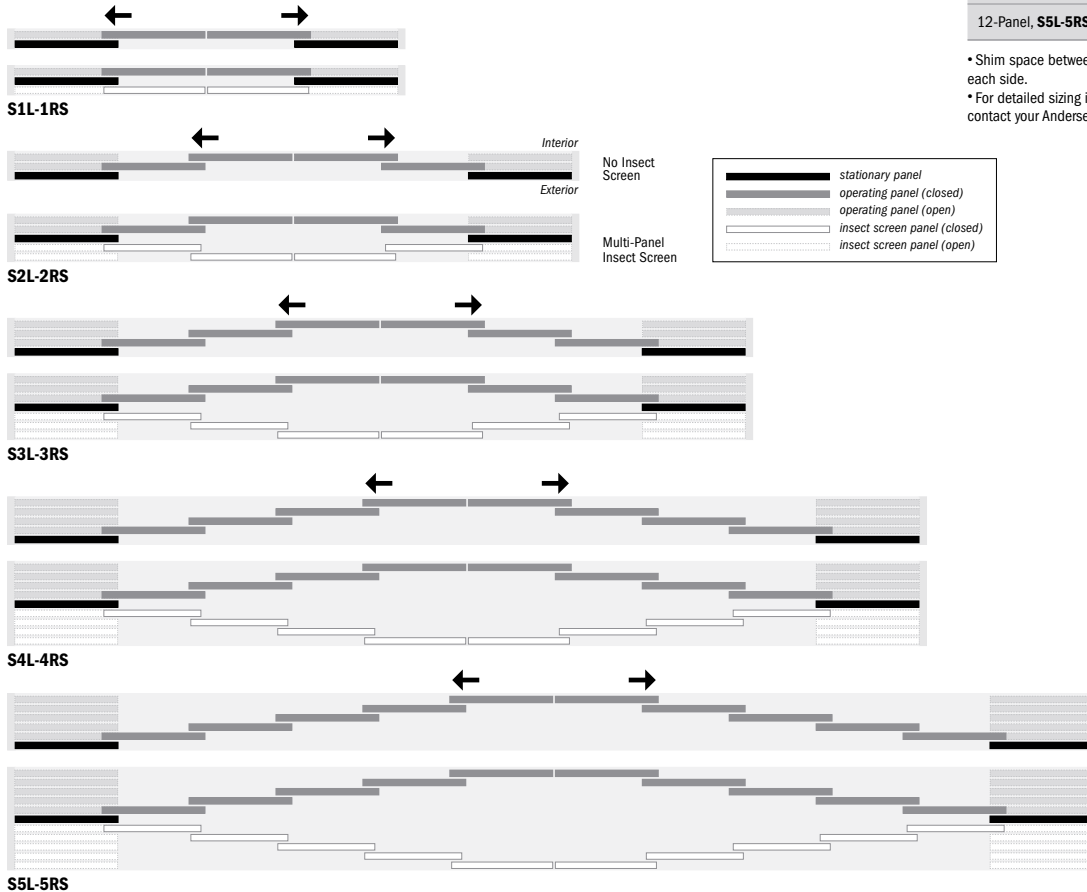
CUSTOM WIDTHS (rough opening dimensions provided)

CONTEMPORARY PANELS	
Number of Panels & Handing	Rough Opening Minimum to Maximum
4-Panel, S1L-1RS	9'-5 5/8" (2886) to 20'-0 3/8" (6106)
6-Panel, S2L-2RS	13'-9 1/4" (4197) to 29'-6 7/8" (9014)
8-Panel, S3L-3RS	18'-0 7/8" (5509) to 39'-1 3/8" (11922)
10-Panel, S4L-4RS	22'-4 1/2" (6820) to 48'-7 7/8" (14830)
12-Panel, S5L-5RS	26'-8 1/8" (8131) to 50'-0" (15240)

TRADITIONAL PANELS	
Number of Panels & Handing	Rough Opening Minimum to Maximum
4-Panel, S1L-1RS	9'-1 3/8" (2778) to 19'-9 1/4" (6026)
6-Panel, S2L-2RS	13'-0 5/8" (3978) to 29'-0 1/2" (8852)
8-Panel, S3L-3RS	17'-0" (5182) to 38'-3 7/8" (11681)
10-Panel, S4L-4RS	20'-11 1/4" (6382) to 47'-7 1/8" (14278)
12-Panel, S5L-5RS	24'-10 5/8" (7585) to 50'-0" (15240)

• Shim space between unit dimension and rough opening is 1/2" (13) on each side.
 • For detailed sizing information, visit andersenwindows.com/multiglides or contact your Andersen supplier.

INTERIOR STACKING DOOR WITH TWO-DIRECTION PANEL OPERATION

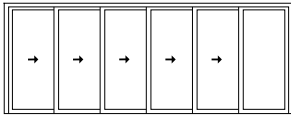


*Dimensions in parentheses are in millimeters.

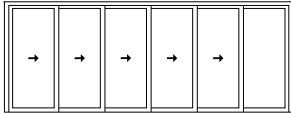
MULTIGLIDE™ DOORS

INTERIOR OR EXTERIOR STACKING DOOR WITH ONE-DIRECTION PANEL OPERATION

Configurations



Interior Stacking One-Directional (R)



Exterior Stacking One-Directional (R)

Choose interior or exterior[†] stacking door with one-direction (left or right) panel operation as viewed from the exterior. Number of panels and width dimensions vary based on panel style and configuration. Flush sill and contemporary panels shown above. On-floor drainage sill and/or traditional panels also available.

Details shown on page 15 and pages 19-21.

JAMB DEPTHS*

Number of Panels & Handing	Without Insect Screen	Single-Panel Insect Screen**	Multi-Panel Insect Screen**
2-Panel, S1L/1RS	5 3/8" (137)	7 7/8" (200)	7 7/8" (200)
3-Panel, S2L/2RS	7 7/8" (200)	10 3/8" (264)	1'-0 7/8" (327)
4-Panel, S3L/3RS	10 3/8" (264)	1'-0 7/8" (327)	1'-5 7/8" (454)
5-Panel, S4L/4RS	1'-0 7/8" (327)	1'-3 3/8" (391)	1'-10 7/8" (581)
6-Panel, S5L/5RS	1'-3 3/8" (391)	1'-5 7/8" (454)	2'-3 7/8" (708)

*On-floor drainage sill extends 3/4" (19) to the exterior, optional exterior ramp extends 2 1/8" (52) to the exterior and optional interior sill ramp extends 1 3/8" (35) to the interior.

**Single-panel insect screen is not available for interior stacking doors. Multi-panel insect screen is not available for exterior stacking doors.

CUSTOM WIDTHS (rough opening dimensions provided)

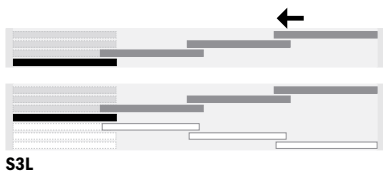
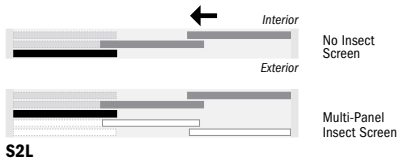
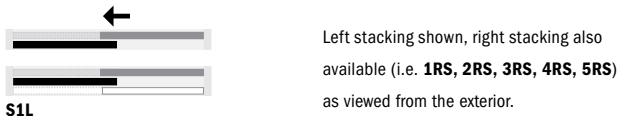
CONTEMPORARY PANELS	
Number of Panels & Handing	Rough Opening Minimum to Maximum
2-Panel, S1L/1RS	4'-11 1/8" (1502) to 10'-2 1/2" (3112)
3-Panel, S2L/2RS	7'-0 7/8" (2156) to 14'-11 3/4" (4566)
4-Panel, S3L/3RS	9'-2 3/4" (2813) to 19'-9" (6020)
5-Panel, S4L/4RS	11'-4 1/2" (3467) to 24'-6 1/4" (7474)
6-Panel, S5L/5RS	13'-6 3/8" (4124) to 29'-3 1/2" (8928)

TRADITIONAL PANELS	
Number of Panels & Handing	Rough Opening Minimum to Maximum
2-Panel, S1L/1RS	4'-9" (1448) to 10'-0 7/8" (3070)
3-Panel, S2L/2RS	6'-8 5/8" (2048) to 14'-8 1/2" (4483)
4-Panel, S3L/3RS	8'-8 1/4" (2648) to 19'-4 1/8" (5896)
5-Panel, S4L/4RS	10'-7 7/8" (3248) to 23'-11 3/4" (7309)
6-Panel, S5L/5RS	12'-7 5/8" (3851) to 28'-7 1/2" (8725)

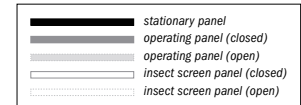
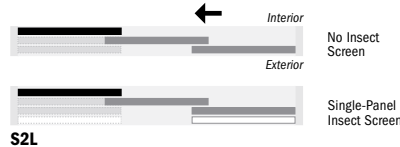
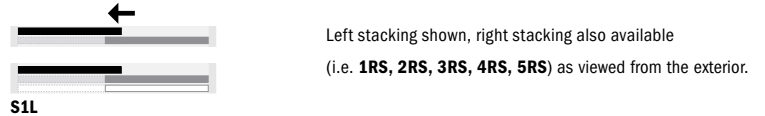
* Shim space between unit dimension and rough opening is 1/2" (13) on each side.

† For detailed sizing information, visit andersenwindows.com/multiglide or contact your Andersen supplier.

INTERIOR STACKING DOORS WITH ONE-DIRECTION PANEL OPERATION



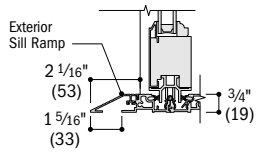
EXTERIOR STACKING[†] DOORS WITH ONE-DIRECTION PANEL OPERATION



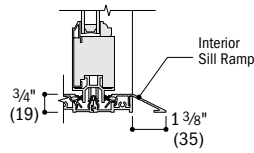
* Dimensions in parentheses are in millimeters.

† Exterior stacking option allows for the use of only one exterior insect screen on a multi-panel door, reducing jamb depth. Not tested for water performance.

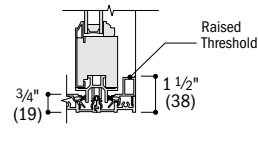
Sill Details



On-Floor Drainage Sill
Optional Exterior Sill Ramp



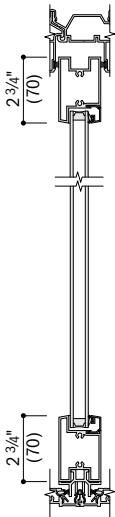
On-Floor Drainage Sill
Optional Interior Sill Ramp



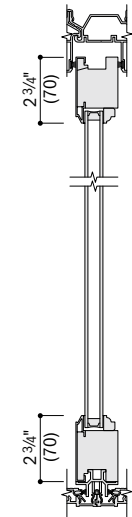
On-Floor Drainage Sill
Optional Raised Threshold

Vertical Sections

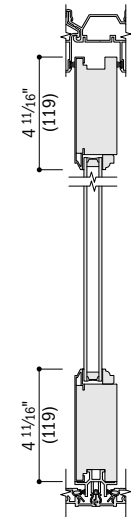
Panel Details



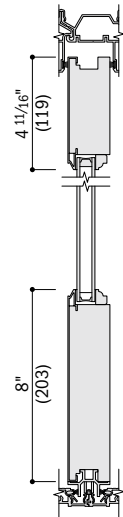
Contemporary
Aluminum Panel



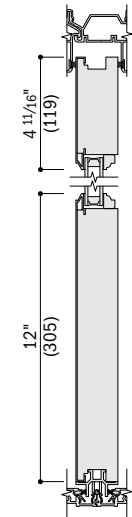
Contemporary
Clad Wood Panel



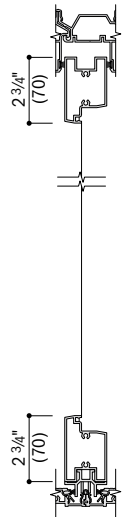
Traditional Clad Wood Panel
4 11/16" (119) Bottom Rail



Traditional Clad Wood Panel
8" (203) Bottom Rail



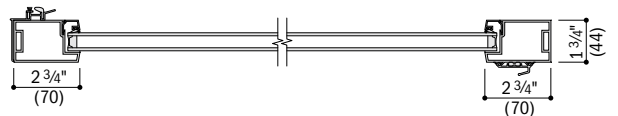
Traditional Clad Wood Panel
12" (305) Bottom Rail



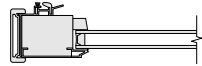
Insect Screen
Panel

Vertical Sections

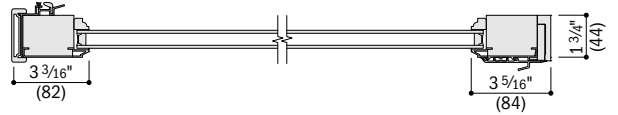
Contemporary Aluminum with
Contemporary Glass Stops



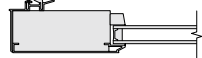
Contemporary Clad Wood with
Contemporary Glass Stops



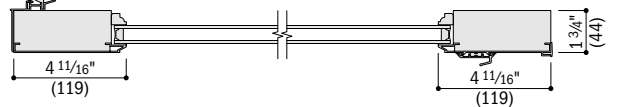
Contemporary Clad Wood with
Ovolo (Colonial) Glass Stops



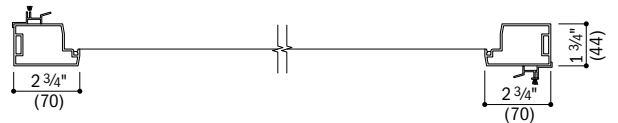
Traditional Clad Wood with
Contemporary Glass Stops



Traditional Clad Wood with
Ovolo (Colonial) Glass Stops



Insect Screen

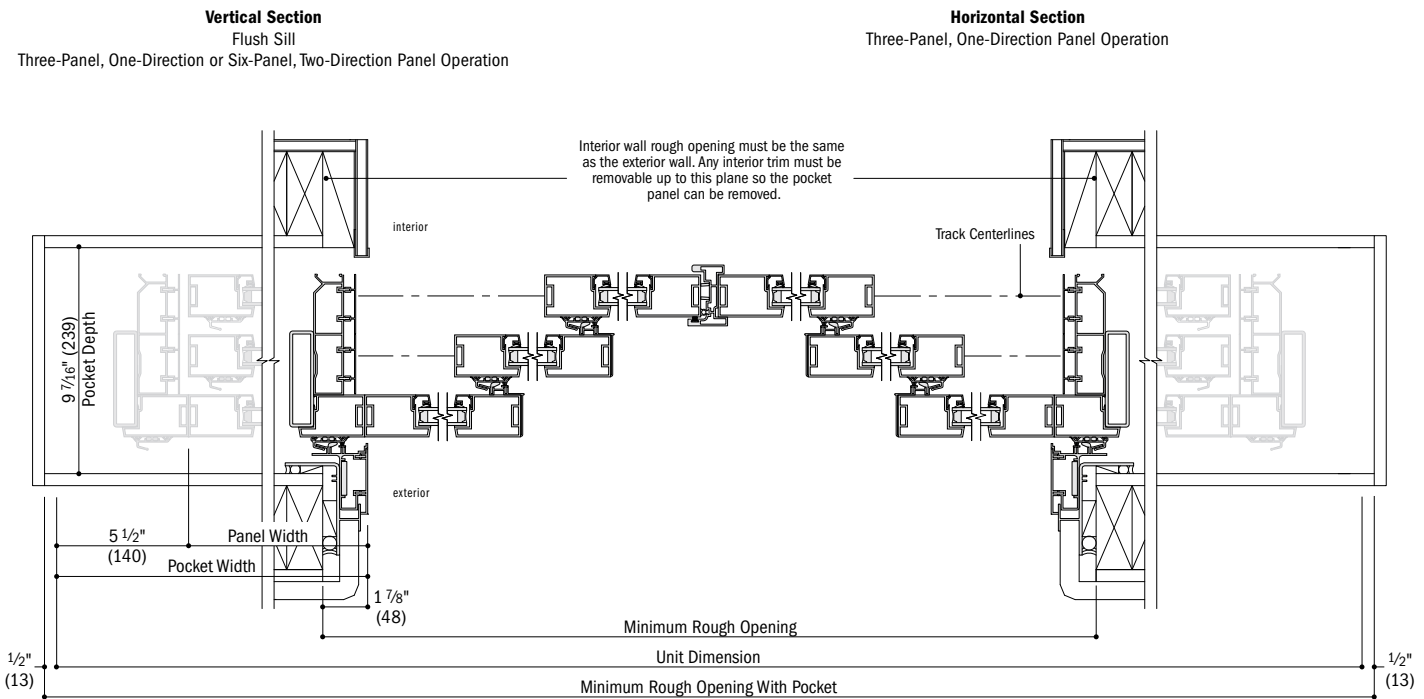
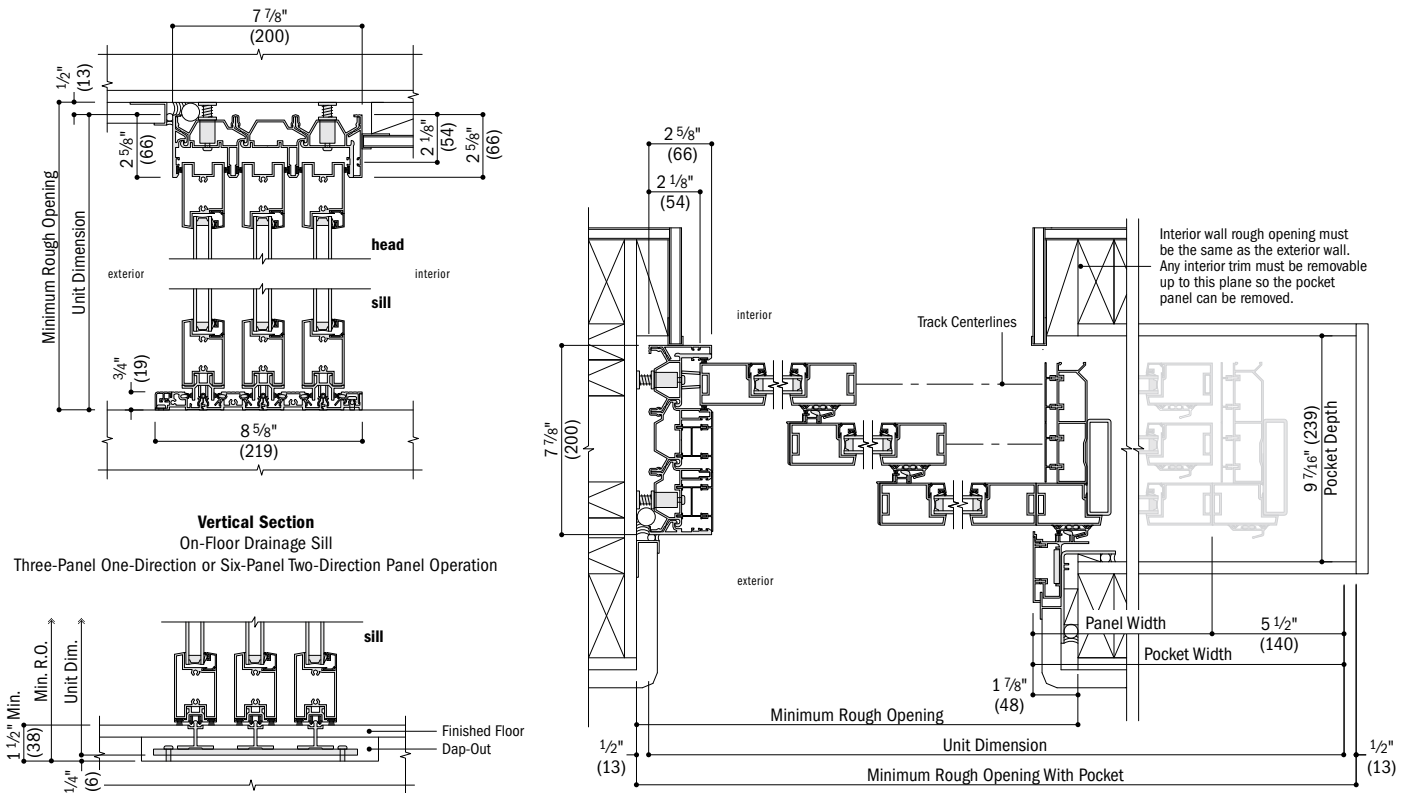


Horizontal Sections
Intermediate Panels

• Dimensions in parentheses are in millimeters.

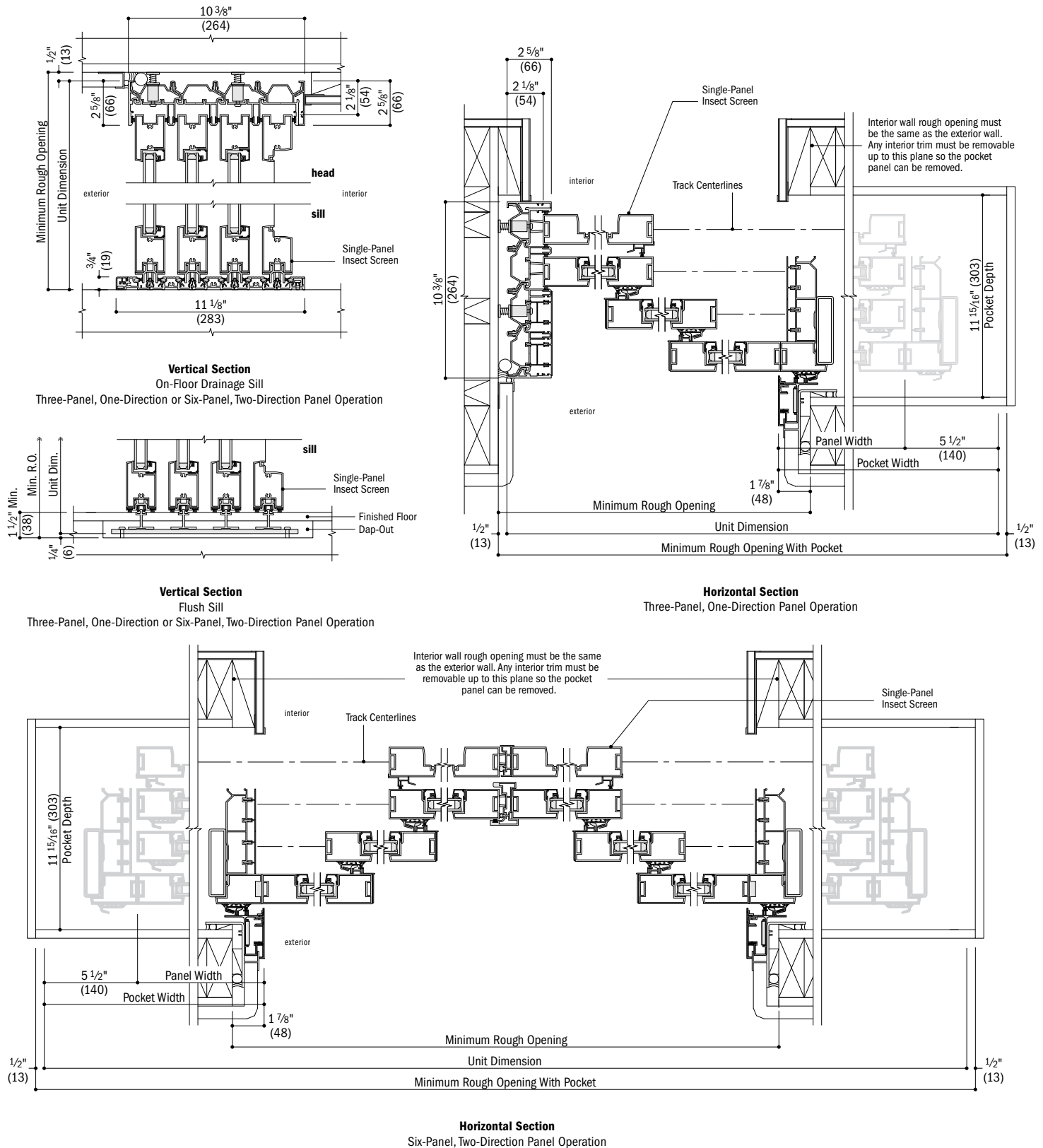
MULTIGLIDE™ DOORS

Pocketing, Contemporary Aluminum Panels without Insect Screens



- 7 7/8" (200) jamb depth measurement is from front side of door frame to back side of door frame.
- **Rough openings may need to be increased to allow for use of building wraps, flashing, sill panning, brackets, fasteners or other items. See installation information on page 37.**
- Details are for illustration only and are not intended to represent complete or appropriate product installation methods or materials for application. Refer to product installation guide.
- Dimensions in parentheses are in millimeters.
- Contemporary clad wood or traditional clad wood panel details are also available.

Pocketing, Contemporary Aluminum Panels with Single-Panel Insect Screen

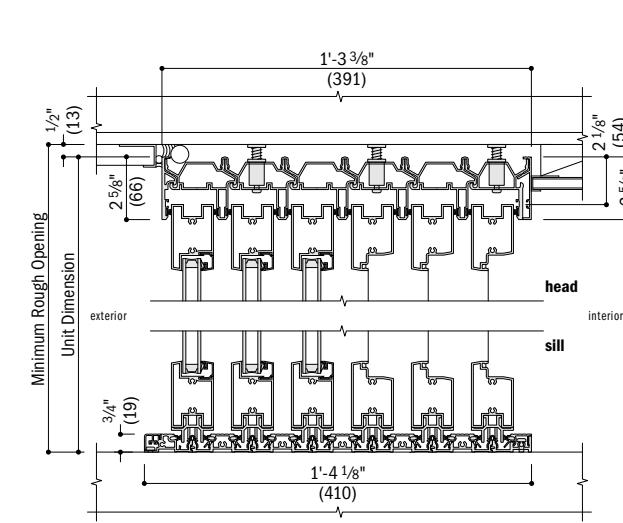


- 10 3/8" (264) (this page) and 1'-3 3/8" (391) (next page) jamb depth measurements are from front side of door frame to back side of door frame.
- **Rough openings may need to be increased to allow for use of building wraps, flashing, sill panning, brackets, fasteners or other items. See installation information on page 37.**
- Details are for illustration only and are not intended to represent complete or appropriate product installation methods or materials for application. Refer to product installation guide.
- Dimensions in parentheses are in millimeters.
- Contemporary clad wood or traditional clad wood panel details are also available.

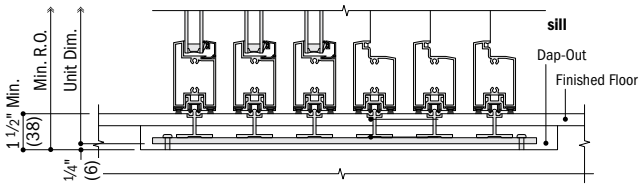
MULTIGLIDE™ DOORS

Pocketing, Contemporary Aluminum Panels with Multi-Panel Insect Screen

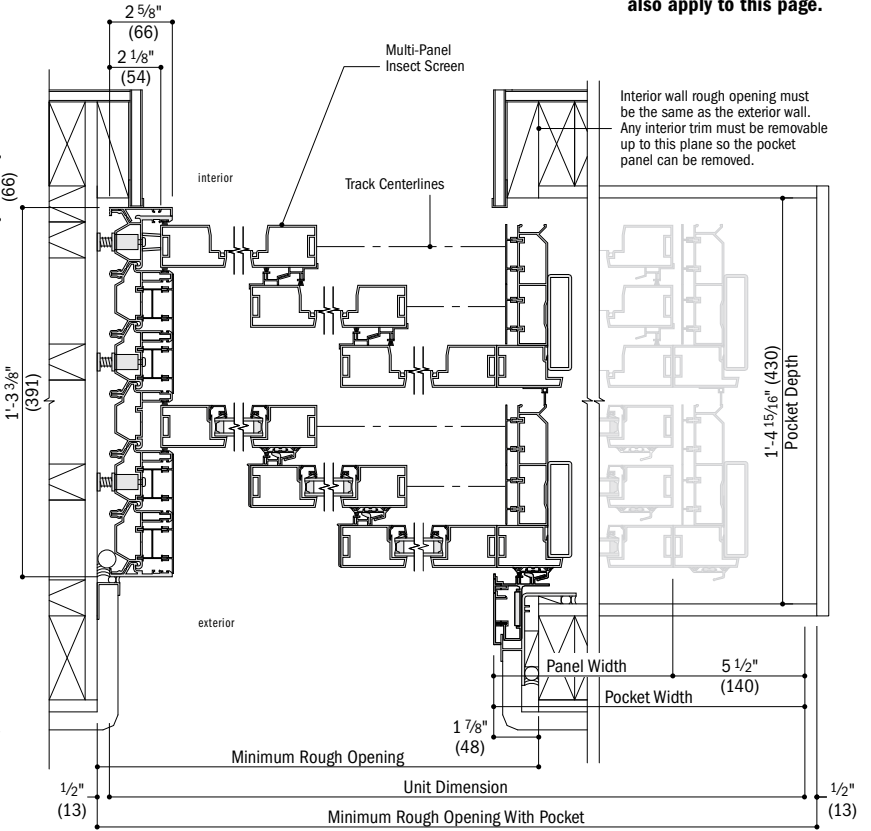
Footnotes on the next page also apply to this page.



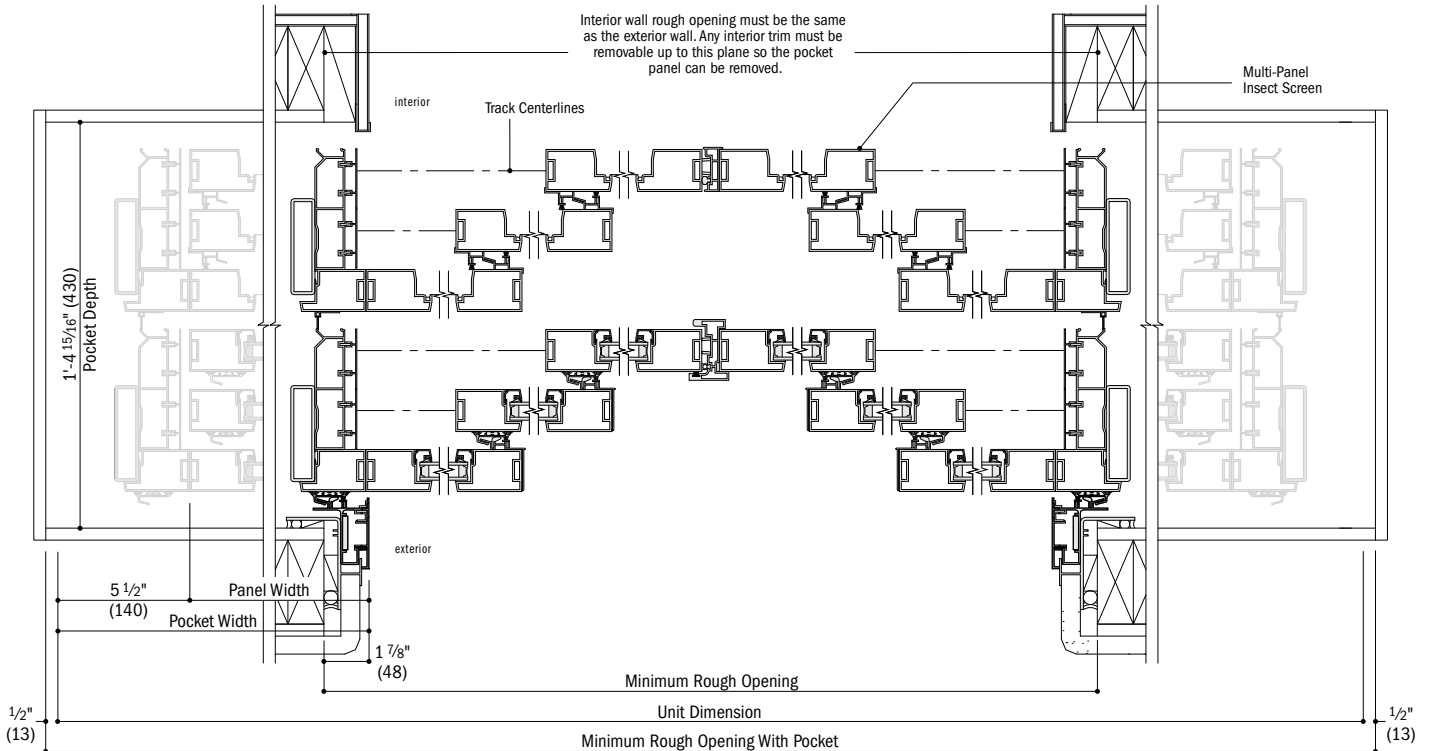
Vertical Section
On-Floor Drainage Sill
Three-Panel, One-Direction or Six-Panel, Two-Direction Panel Operation



Vertical Section
Flush Sill
Three-Panel, One-Direction or Six-Panel, Two-Direction Panel Operation



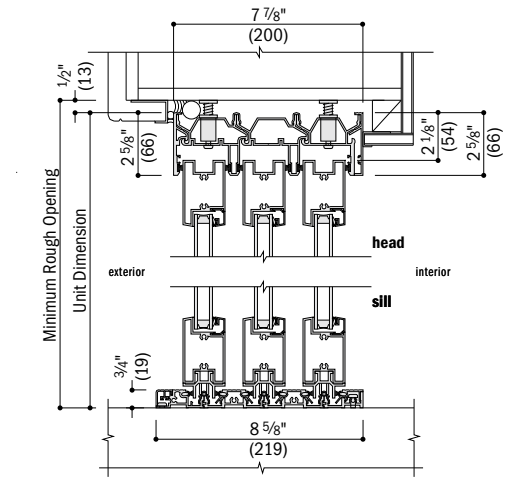
Horizontal Section
Three-Panel, One-Direction Panel Operation



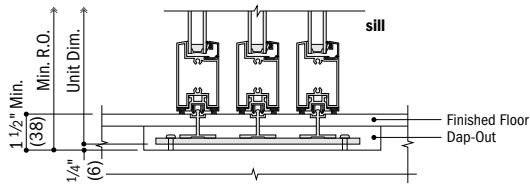
Horizontal Section
Six-Panel, Two-Direction Panel Operation



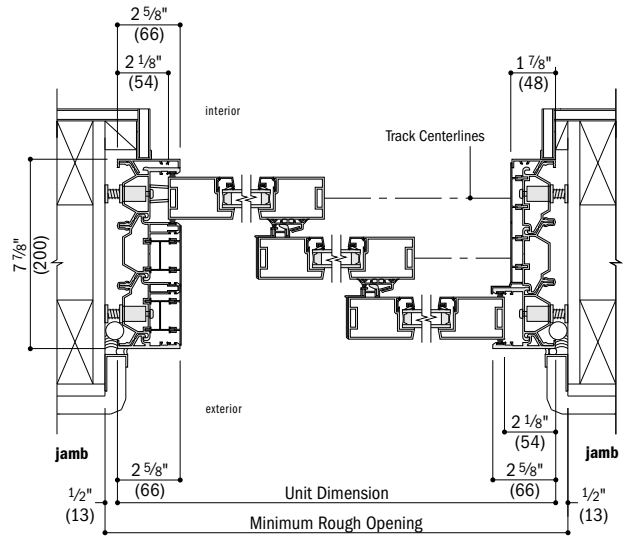
Interior Stacking, Contemporary Aluminum Panels without Insect Screens



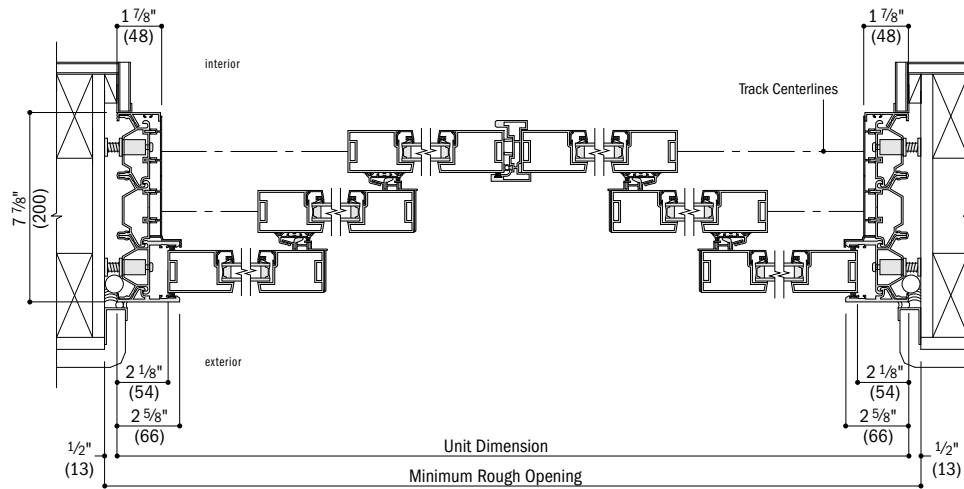
Vertical Section
On-Floor Drainage Sill
Three-Panel, One-Direction Panel Operation



Vertical Section
Flush Sill
Three-Panel, One-Direction Panel Operation



Horizontal Section
Three-Panel, One-Direction Panel Operation

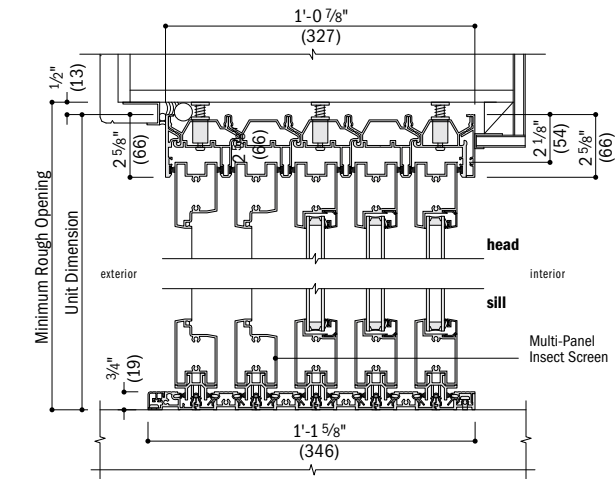


Horizontal Section
Six-Panel, Two-Direction Panel Operation

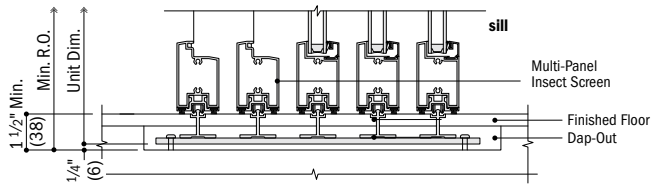
- 7 7/8" (200) jamb depth measurement is from front side of door frame to back side of door frame.
- **Rough openings may need to be increased to allow for use of building wraps, flashing, sill panning, brackets, fasteners or other items. See installation information on page 37.**
- Details are for illustration only and are not intended to represent complete or appropriate product installation methods or materials for application. Refer to product installation guide.
- Dimensions in parentheses are in millimeters.
- Contemporary clad wood or traditional clad wood panel details are also available.

MULTIGLIDE™ DOORS

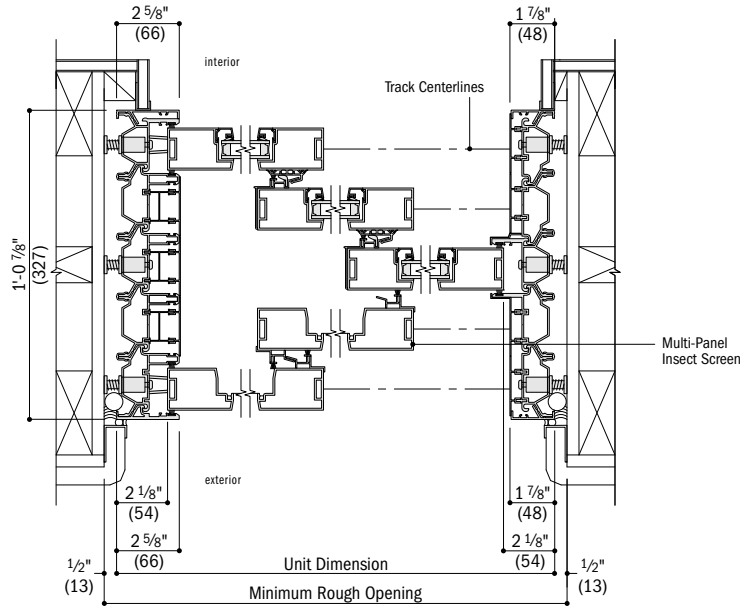
Interior Stacking, Contemporary Aluminum Panels with Multi-Panel Insect Screen



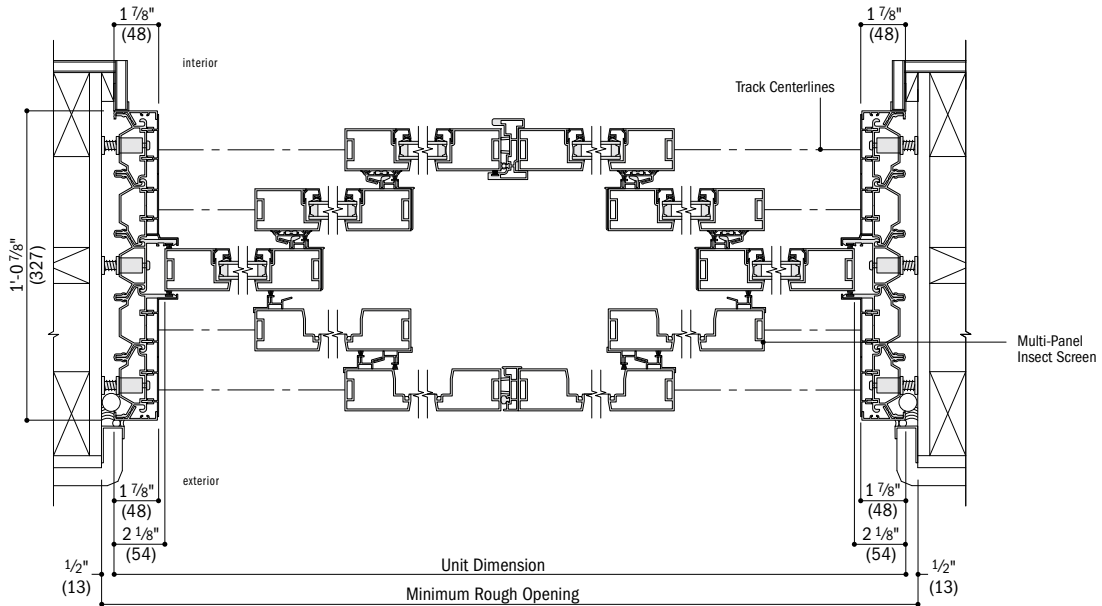
Vertical Section
On-Floor Drainage Sill
Three-Panel, One-Direction Panel Operation



Vertical Section
Flush Sill
Three-Panel, One-Direction Panel Operation



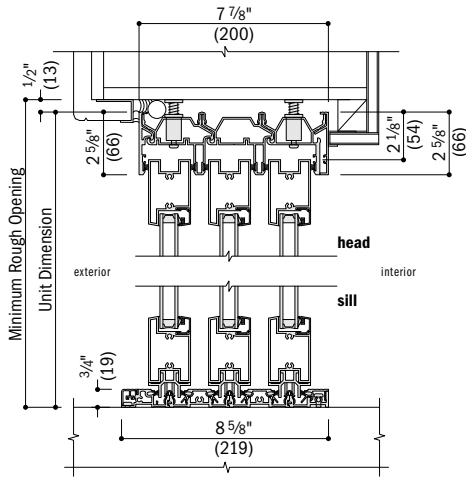
Horizontal Section
Three-Panel, One-Direction Panel Operation



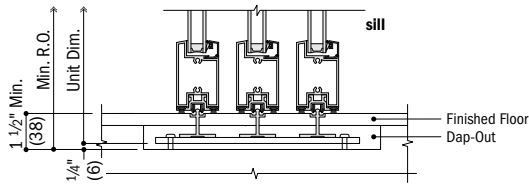
Horizontal Section
Six-Panel, Two-Direction Panel Operation

- 1'-0 7/8" (327) jamb depth measurement is from front side of door frame to back side of door frame.
- **Rough openings may need to be increased to allow for use of building wraps, flashing, sill panning, brackets, fasteners or other items. See installation information on page 37.**
- Details are for illustration only and are not intended to represent complete or appropriate product installation methods or materials for application. Refer to product installation guide.
- Dimensions in parentheses are in millimeters.
- Contemporary clad wood or traditional clad wood panel details are also available.

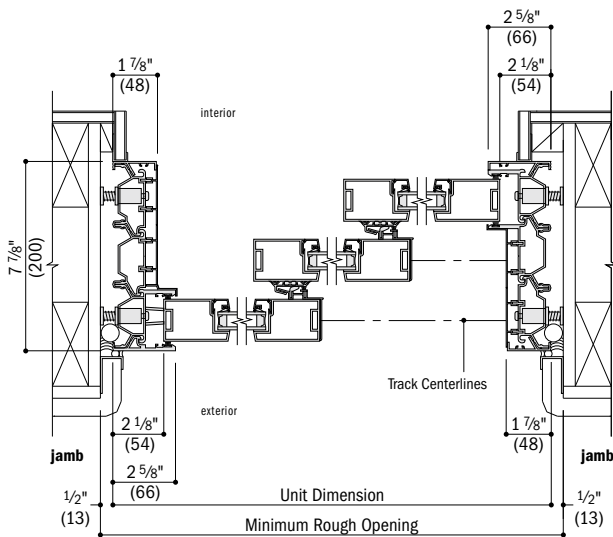
**Exterior Stacking, Contemporary Aluminum Panels
without Insect Screens**



Vertical Section
On-Floor Drainage Sill
Three-Panel, One-Direction Panel Operation

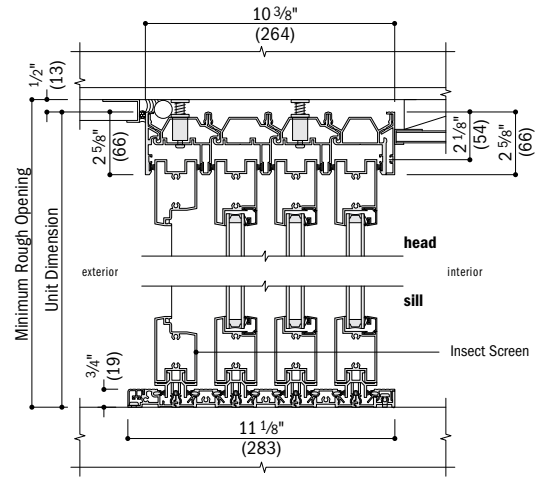


Vertical Section
Flush Sill
Three-Panel, One-Direction Panel Operation

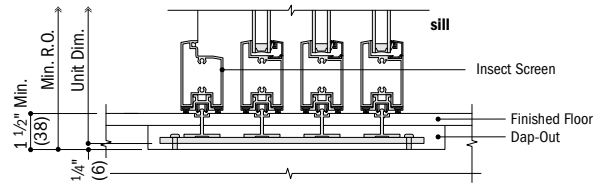


Horizontal Section
Three-Panel, One-Direction Panel Operation

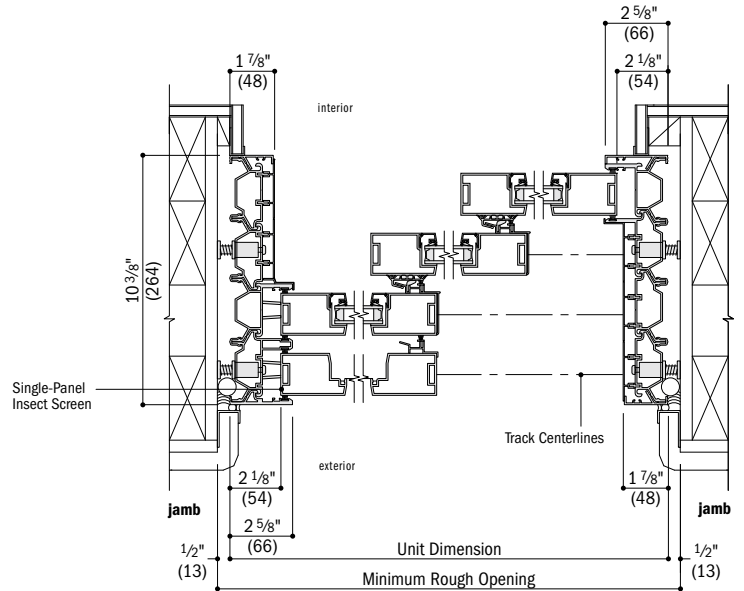
**Exterior Stacking, Contemporary Aluminum Panels
with Single-Panel Insect Screen**



Vertical Section
On-Floor Drainage Sill
Three-Panel, One-Direction Panel Operation



Vertical Section
Flush Sill
Three-Panel, One-Direction Panel Operation



Horizontal Section
Three-Panel, One-Direction Panel Operation

- 7 7/8" (200) jamb depth measurement is from front side of door frame to back side of door frame.
- **Rough openings may need to be increased to allow for use of building wraps, flashing, sill panning, brackets, fasteners or other items. See installation information on page 37.**
- Details are for illustration only and are not intended to represent complete or appropriate product installation methods or materials for application. Refer to product installation guide.
- Dimensions in parentheses are in millimeters.
- Contemporary clad wood or traditional clad wood panel details are also available.

FOLDING OUTSWING DOORS

- 24 Features & Options
- 26 Exterior & Interior Options
- 27 Design Criteria
- 27 Styles & Sizing
- 28 Configurations
- 29 Door Details
- 33 Performance





STATELY
Walls of Light

FOLDING OUTSWING DOORS

FEATURES

When closed, these folding outswing doors create a stately wall of light. When open, they transform a room into a gateway to the world outside. With standard or custom panel designs, they fit openings between 3' 3" (991) to 48' (14630) wide and between 3' 5 3/8" (1051) to 10' (3048) in height. Doors can be built to open from the left, right or center and can be used as pass-through windows for outdoor entertaining areas.

Frame

A Heavy-duty extruded aluminum cladding protects the exterior from the elements. Both frame and panels are available with wood exteriors as a special product request.

B The engineered wood frame members are treated with a water-repellent wood preservative for long-lasting* protection and performance.

Sill

Three sill options are available:

C The on-floor drainage sill offers a PG 40 rating for sizes up to 24' (7315) wide and 8' (2438) and PG 30 rating for sizes up to 24' (7315) wide and 10' (3048) tall, and is available in painted gray or dark bronze.

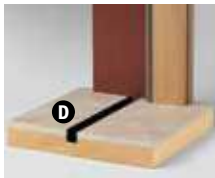
D The flush sill option places the track even with the finished floor.

E The on-floor low-threshold sill option provides easy accessibility. Available in painted gray or dark bronze.

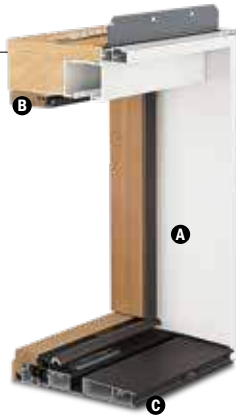
On-Floor Drainage Sill



Flush Sill



On-Floor Low-Threshold Sill



High-Profile Sill Stop

For better security against water infiltration an optional 2 7/8" high-profile sill stop is available (water penetration resistance test pressure 7.5 psf). See page 27 for detail.

Panel

The aluminum-clad panel has a dual weatherstrip design at the bottom and along the panel edges, providing a weathertight seal. Available in a contemporary style with 3 11/16" (94) equal stiles and rails. A traditional style with 4 11/16" (119) stiles and top rail with three bottom rail heights of 4 11/16" (119), 8" (203) and 12" (305).

Contemporary Panel

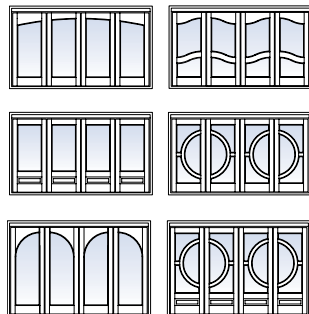
3 11/16" rails and stiles

Traditional Panel

8" bottom rail shown, 4 11/16" and 12" bottom rail also available

Custom Panel Examples

Rectangular panels are available with virtually any design.** See your Andersen supplier for details.



Exterior Finish

The aluminum exterior frame and clad panels feature a durable, low-maintenance AAMA 2605 finish.

Glass

Panels are silicone bed glazed and finished with an interior stop. Ovolo (colonial) or contemporary glass stops are available on clad wood panels.

Glass spacer bars are available in stainless steel or optional black.

High-Performance glass options include:

Dual-pane:

- Low-E4® tempered glass
- Low-E4 HeatLock® tempered glass
- Low-E4 Sun tempered glass
- Low-E4 SmartSun™ tempered glass
- Low-E4 SmartSun HeatLock tempered glass
- Low-E4 PassiveSun® tempered glass

Triple-pane for greater energy performance:

- Low-E4 tempered glass
- Low-E4 Enhanced tempered glass
- Low-E4 SmartSun tempered glass
- Low-E4 SmartSun Enhanced tempered glass

Additional glass options are available. Contact your Andersen supplier.

A removable translucent film helps shield the glass from damage during delivery and construction and also simplifies finishing at the jobsite.

Hardware

Multi-Point Locking System



The folding outswing door has a multi-point locking system with a hook bolt above and below the center deadbolt along with flush bolts on the panels that lock into the head and sill. This system provides a weathertight seal and enhanced security. The flush bolts and pull handles are available in a matte black or satin stainless steel finish.

Concealed Shoot Bolt



Concealed shoot bolt hardware is standard on doors with contemporary panels. Available in brushed stainless steel or bronzed stainless steel finishes.

Flush Shoot Bolt



Flush shoot bolt hardware is standard on doors with traditional panels. Available in matte black or satin stainless steel finishes.

Pull Handle



A pull handle is available on doors with both contemporary and traditional style panels. Available in matte black or satin stainless steel finishes.

* Visit andersenwindows.com/warranty for details.

** Custom panels utilize a different product design that includes the use of a proud glazing bead. Dimensions in parentheses are in millimeters.

HARDWARE *Sold separately.*



YUMA®
Distressed Bronze
Distressed Nickel



ENCINO®
Distressed Bronze
Distressed Nickel



ANVERS®
Bright Brass
Oil Rubbed Bronze
Satin Nickel



NEWBURY®
Antique Brass
Bright Brass
Brushed Chrome
Oil Rubbed Bronze
Polished Chrome
Satin Nickel



COVINGTON™
Antique Brass
Bright Brass
Oil Rubbed Bronze



WHITMORE®
Antique Brass
Bright Brass
Oil Rubbed Bronze
Satin Nickel



ALBANY™
Black
Gold Dust
Stone
White



TRIBECA®
Stone
White

Bold name denotes finish shown.

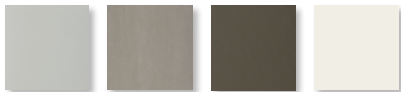
HARDWARE FINISHES



Antique Brass Black Bright Brass Brushed Chrome



Distressed Bronze Distressed Nickel Gold Dust Oil Rubbed Bronze



Polished Chrome Satin Nickel Stone White

FSB® HARDWARE OPTIONS



1035 1075



1076 1102

ACCESSORIES *Sold separately.*

Frame

Extension Jamb

Base jamb depth is 6 9/16" (167). Interior extension jamb are available in 1/16" (1.5) increments between 5 1/16" (129) and 12" (305).

Exterior Trim

Aluminum Brick Mould

Aluminum brick mould is optional for clad doors. See page 27 for details.

Aluminum Frame Extender

An optional aluminum frame extender to assist with retro-fitting new door units into existing openings. See page 27 for details.

Insect Screens

Retractable insect screens are available. Contact your Andersen supplier for details.

Grilles

Full Divided Light and Simulated Divided Light styles in 7/8" (22), 1 1/8" (29) and 1 1/2" (38) widths. Removable wood grilles and Finelight™ grilles-between-the-glass are also available.

Distressed bronze and oil rubbed bronze are "living" finishes that will change with time and use.

Bright brass and satin nickel finishes feature a 10-year limited warranty.

Tribeca and Albany hardware are zinc diecast with powder-coated durable finish. Other hardware is solid forged brass.

Mix and match interior and exterior style and finish options are available, excludes FSB hardware.

Printing limitations prevent exact replication of finishes. See your Andersen supplier for actual finish samples.

Dimensions in parentheses are in millimeters.

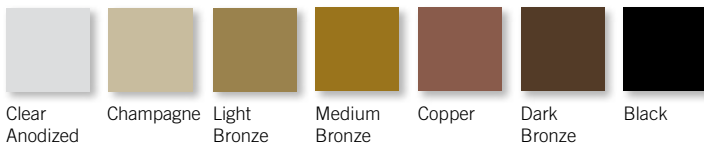
"FSB" is a registered trademark of Franz Schneider Brakel GmbH & Co.

FOLDING OUTSWING DOORS

ALUMINUM-CLAD WOOD DOOR EXTERIOR Custom colors available.



ANODIZED FINISH OPTIONS



INTERIOR

WOOD SPECIES



Naturally occurring variations in grain, color and texture of wood make each door one of a kind. All wood interiors are unfinished unless a painted option is specified.

PAINTED OPTIONS Available on pine.



* Actual wood species is either Sapele or Sipo, both non-endangered species grown in Africa, with color and characteristics similar to Central American mahoganies.

** Dark bronze and black also available on maple.

† Anodized silver available on maple only.

Printing limitations prevent exact duplication of finishes. See your Andersen supplier for actual finish samples.

Design Criteria

To allow for proper performance and operation, verify the structural integrity of the header such that the maximum deflection with live and dead loads is limited to the lesser of L/750 of the span and 1/4" (6). The maximum weight per panel with Low-E4, SmartSun™ or Sun glass is 250 pounds or 113 kg. Weights using alternate glazings will need to be provided by Andersen.

For important installation information, see page 37.

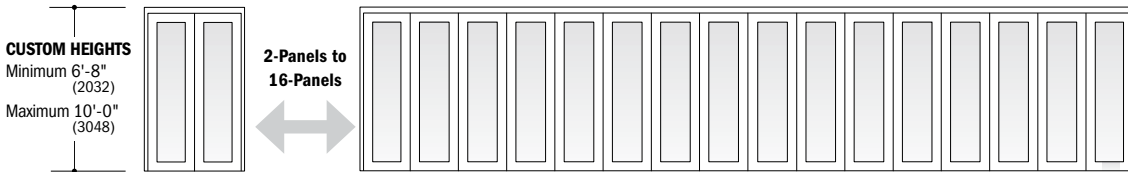
Construction

Standard construction of the folding outswing door is an aluminum clad exterior with a rich wood interior. Clad folding door details are shown, wood exterior doors are also available. For more information, visit andersenwindows.com/foldingdoors.

Styles and Sizes

Scale 1/8" (3) = 1'-0" (305) – 1:96

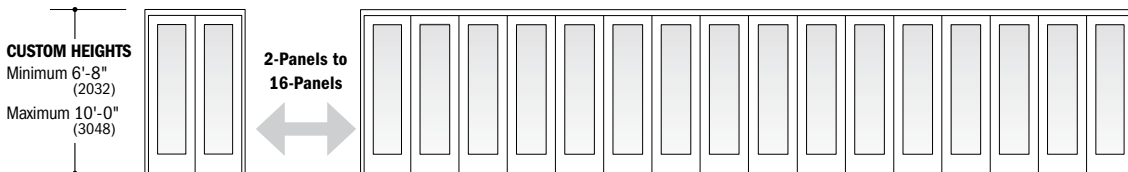
Contemporary Panel Sizes



CUSTOM WIDTHS

Number of Panels	Minimum to Maximum	Number of Panels	Minimum to Maximum	Number of Panels	Minimum to Maximum
2-Panel	3'-2 1/4" (972) to 8'-2 1/4" (2496)	7-Panel	10'-9 1/4" (3283) to 28'-2 7/8" (8607)	12-Panel	18'-5 1/8" (5617) to 48'-0" (14630)
3-Panel	4'-8 5/8" (1438) to 12'-2 1/4" (3715)	8-Panel	12'-4 1/2" (3772) to 32'-3 1/4" (9836)	13-Panel	19'-10 1/4" (6052) to 48'-0" (14630)
4-Panel	6'-3 7/8" (1927) to 16'-2 5/8" (4943)	9-Panel	13'-9 5/8" (4207) to 36'-3 1/2" (11062)	14-Panel	21'-5 3/8" (6537) to 48'-0" (14630)
5-Panel	7'-9" (2362) to 20'-2 5/8" (6163)	10-Panel	15'-4 3/4" (4693) to 40'-3 7/8" (12290)	15-Panel	22'-10 1/2" (6972) to 48'-0" (14630)
6-Panel	9'-4 1/8" (2848) to 24'-2 7/8" (7388)	11-Panel	16'-9 7/8" (5128) to 44'-3 3/4" (13506)	16-Panel	24'-4 7/8" (7439) to 48'-0" (14630)

Traditional Panel Sizes

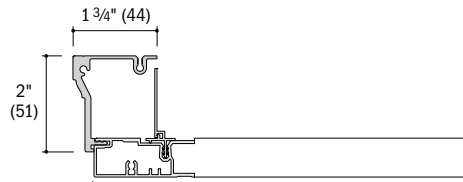


CUSTOM WIDTHS

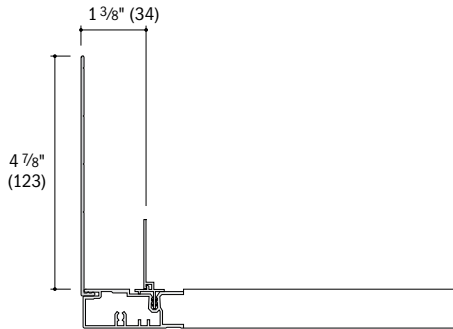
Number of Panels	Minimum to Maximum	Number of Panels	Minimum to Maximum	Number of Panels	Minimum to Maximum
2-Panel	3'-2 1/4" (972) to 6'-8 1/8" (2035)	7-Panel	10'-9 1/4" (3283) to 22'-11 7/8" (7007)	12-Panel	18'-5 1/8" (5617) to 39'-4 1/8" (11992)
3-Panel	4'-8 5/8" (1438) to 9'-11 1/4" (3029)	8-Panel	12'-4 1/2" (3772) to 26'-3 1/8" (8004)	13-Panel	19'-10 1/4" (6052) to 42'-7 1/8" (12983)
4-Panel	6'-3 7/8" (1927) to 13'-2 1/4" (4020)	9-Panel	13'-9 5/8" (4207) to 29'-6 1/2" (9004)	14-Panel	21'-5 3/8" (6537) to 45'-10 1/2" (13983)
5-Panel	7'-9" (2362) to 16'-5 5/8" (5020)	10-Panel	15'-4 3/4" (4693) to 32'-9 7/8" (10004)	15-Panel	22'-10 1/4" (6966) to 48'-0" (14630)
6-Panel	9'-9 1/8" (2975) to 19'-8 3/4" (6013)	11-Panel	16'-9 7/8" (5128) to 36'-0 3/4" (10992)	16-Panel	24'-4 7/8" (7439) to 48'-0" (14630)

• "Minimum to Maximum" door width dimensions refers to frame-to-frame dimension.
• Dimensions in parentheses are in millimeters.

Installation Accessory Details

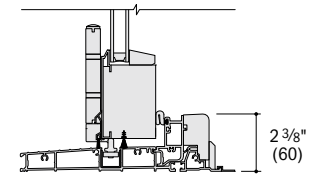


Head Jamb with Optional Brick Mould



Head Jamb with Optional Frame Expander

High-Profile Sill Stop Detail



On-Floor Drainage Sill with Optional High-Profile Sill Stop



Custom sized in 1/8" (3) increments. Contact your Andersen supplier for additional dimensions and specifications.

FOLDING OUTSWING DOORS

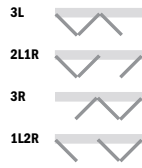
Panel Configurations

Configurations are designated from left to right as viewed from the exterior.

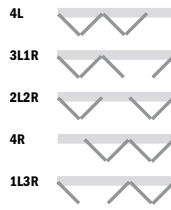
Two-Panel



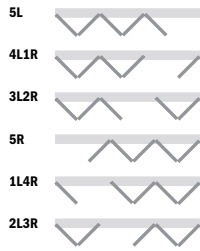
Three-Panel



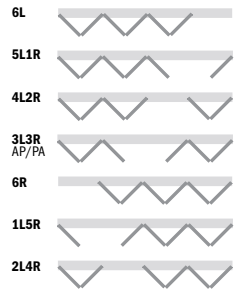
Four-Panel



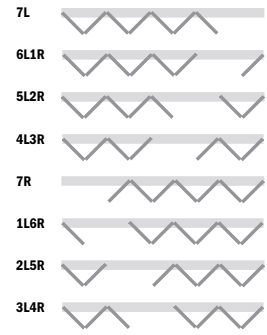
Five-Panel



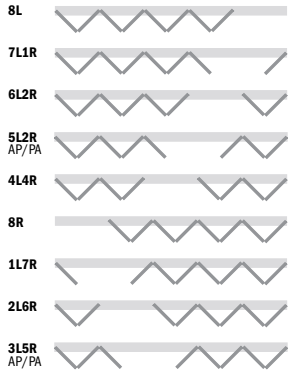
Six-Panel



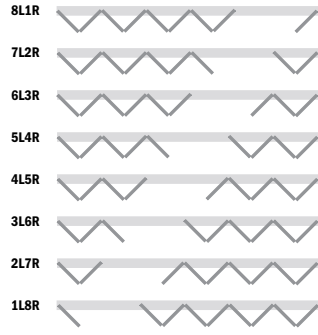
Seven-Panel



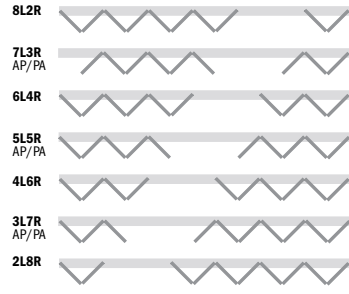
Eight-Panel



Nine-Panel



Ten-Panel



Eleven-Panel



Twelve-Panel



Thirteen-Panel



Fourteen-Panel



Fifteen-Panel

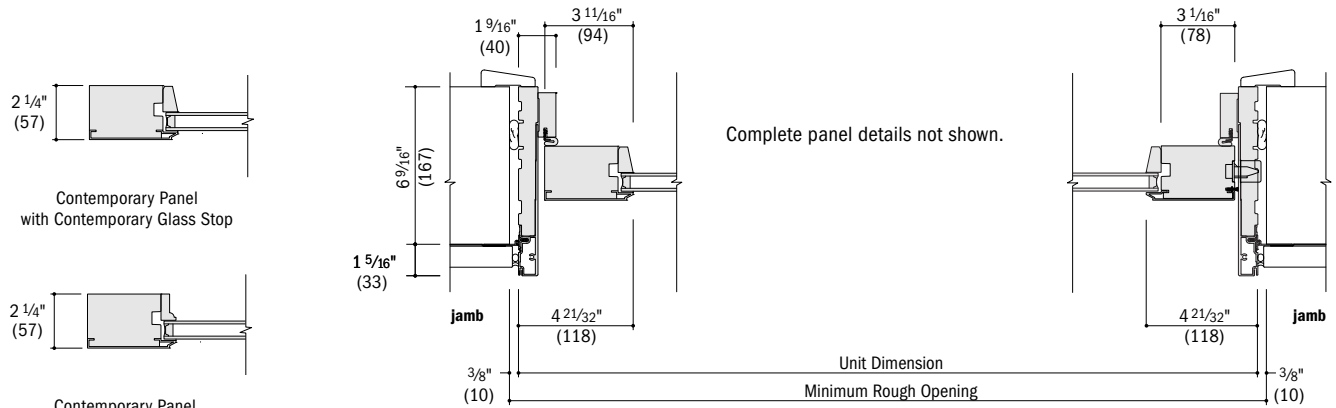


Sixteen-Panel



Folding Doors – Contemporary Panel Details

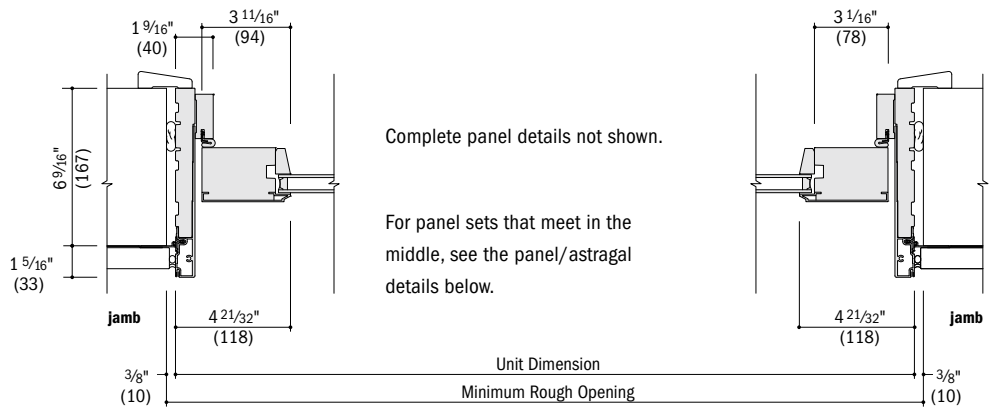
Scale 1 1/2" (38) = 1'-0" (305) – 1:8



Complete panel details not shown.

Horizontal Section
Hinge Jamb, Lock Jamb

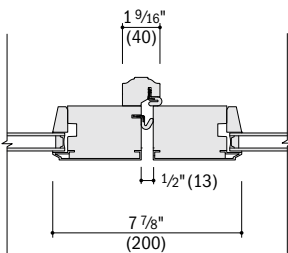
- 6 9/16" (167) jamb depth measurement is from back side of installation flange to inside edge of door frame.
- Light-colored areas are included with the door unit. Dark-colored areas are additional Andersen® parts required to complete door assembly as shown and must be specified.
- **Rough openings may need to be increased to allow for use of building wraps, flashing, sill panning, brackets, fasteners or other items. See installation information on page 37.**
- Details are for illustration only and are not intended to represent complete or appropriate product installation methods or materials for application. Refer to product installation guide.
- Dimensions in parentheses are in millimeters.
- Clad folding door details are shown. Wood exterior folding doors are also available.



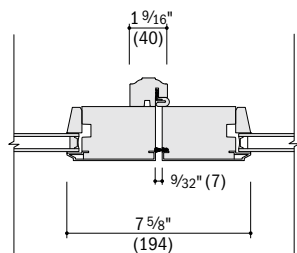
Complete panel details not shown.

For panel sets that meet in the middle, see the panel/astragal details below.

Horizontal Section
Hinge Jamb, Hinge Jamb



Horizontal Section
Astragal, Lead Panel-Lead Panel

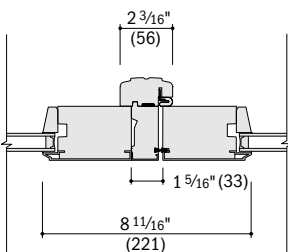


Horizontal Section
Astragal, Lead Panel-Active Panel

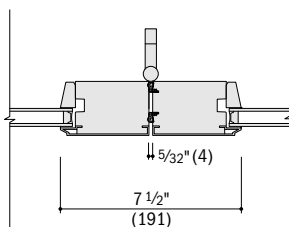
Lead Panel-Lead Panel astragals are used for doors with two-direction panel operation and an even-even number of panels. Example: **4L4R**



Lead Panel-Active Panel astragals are used for doors with two-direction panel operation and an even-odd number of panels. Example: **4L3R**



Horizontal Section
Astragal, Passive Panel-Active Panel



Horizontal Section
Hinge Panels

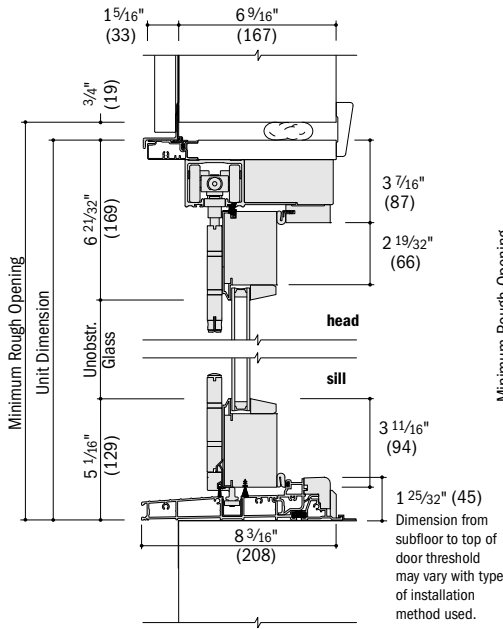
Passive Panel-Active Panel or **Active Panel-Passive Panel** astragals are used for doors with two-direction panel operation and an odd-odd number of panels. Example: **5L3R**



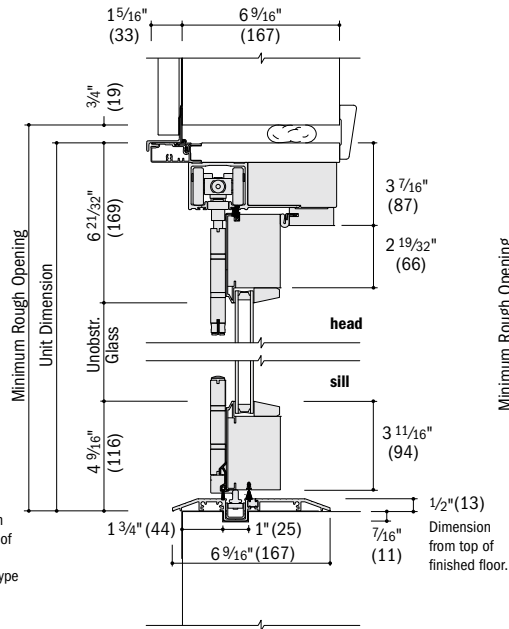
FOLDING OUTSWING DOORS

Folding Doors - Contemporary Panel Details

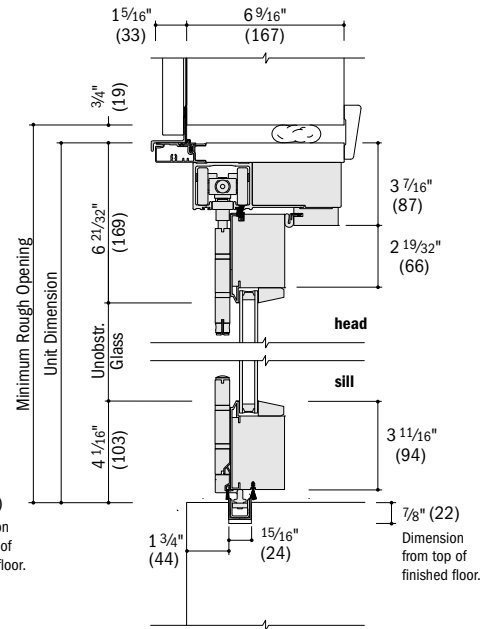
Scale 1 1/2" (38) = 1'-0" (305) - 1:8



Vertical Section
Contemporary Panel, On-Floor Drainage Sill



Vertical Section
Contemporary Panel, On-Floor Low-Threshold Sill

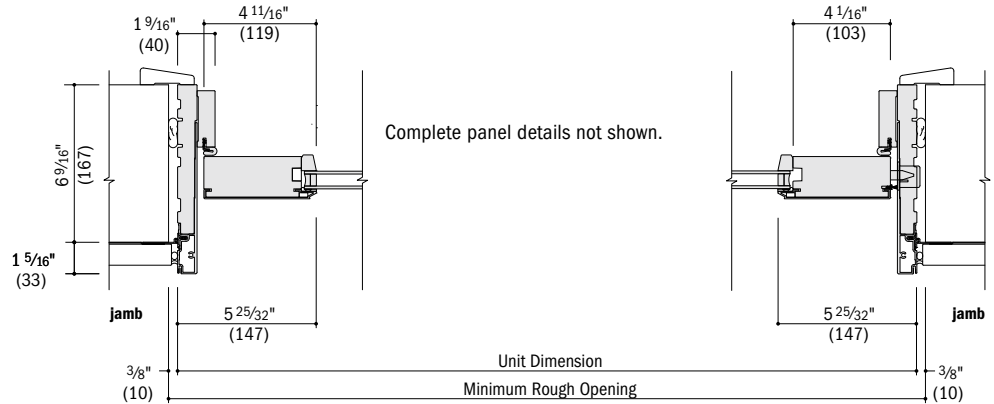
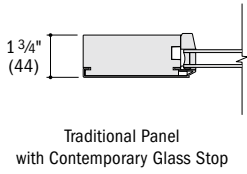


Vertical Section
Contemporary Panel, Flush Sill (track-in-floor)

- 6 9/16" (167) jamb depth measurement is from back side of installation flange to inside edge of door frame.
- Light-colored areas are included with the door unit. Dark-colored areas are additional Andersen® parts required to complete door assembly as shown and must be specified.
- **Rough openings may need to be increased to allow for use of building wraps, flashing, sill panning, brackets, fasteners or other items. See installation information on page 37.**
- Details are for illustration only and are not intended to represent complete or appropriate product installation methods or materials for application. Refer to product installation guide.
- Dimensions in parentheses are in millimeters.
- Clad folding door details are shown. Wood exterior folding doors are also available.

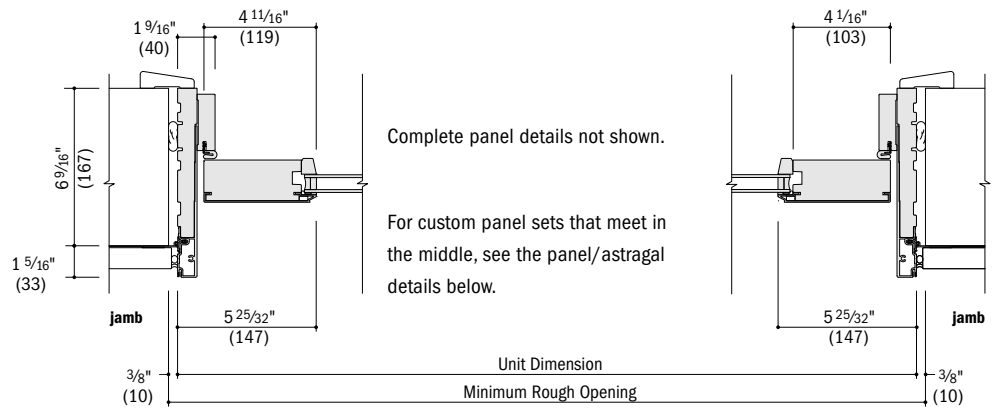
Folding Doors – Traditional Panel Details

Scale 1 1/2" (38) = 1'-0" (305) – 1:8

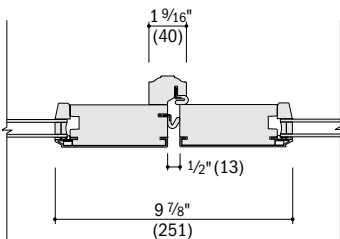


Horizontal Section
Hinge Jamb, Lock Jamb

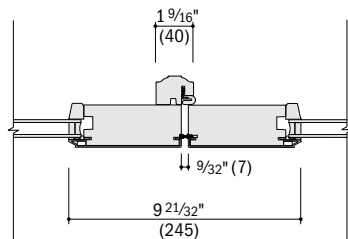
- 6 9/16" (167) jamb depth measurement is from back side of installation flange to inside edge of door frame.
- Light-colored areas are included with the door unit. Dark-colored areas are additional Andersen® parts required to complete door assembly as shown and must be specified.
- **Rough openings may need to be increased to allow for use of building wraps, flashing, sill panning, brackets, fasteners or other items. See installation information on page 37.**
- Details are for illustration only and are not intended to represent complete or appropriate product installation methods or materials for application. Refer to product installation guide.
- Dimensions in parentheses are in millimeters.
- Clad folding door details are shown. Wood exterior folding doors are also available.



Horizontal Section
Hinge Jamb, Hinge Jamb



Horizontal Section
Astragal, Lead Panel-Lead Panel

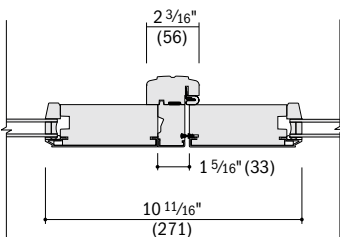


Horizontal Section
Astragal, Lead Panel-Active Panel

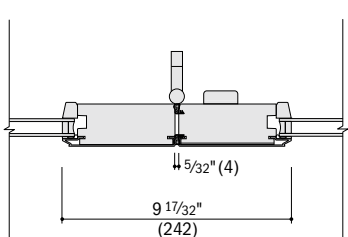
Lead Panel-Lead Panel astragals are used for doors with two-direction panel operation and an even-even number of panels. Example: **4L4R**



Lead Panel-Active Panel astragals are used for doors with two-direction panel operation and an even-odd number of panels. Example: **4L3R**



Horizontal Section
Astragal, Passive Panel-Active Panel



Horizontal Section
Hinge Panels

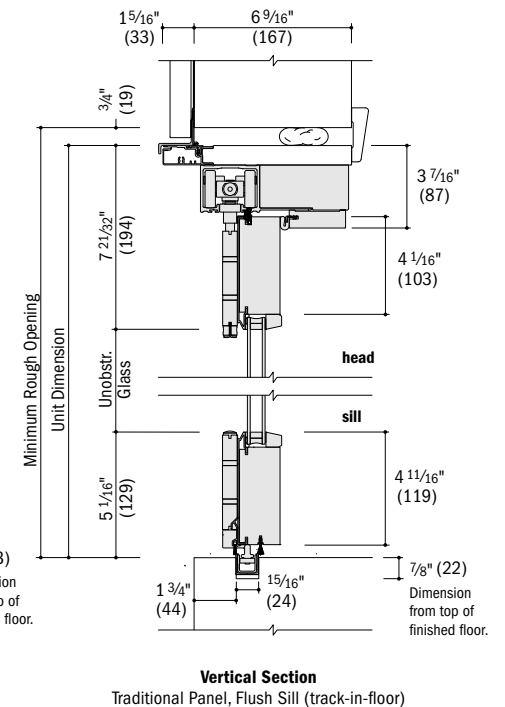
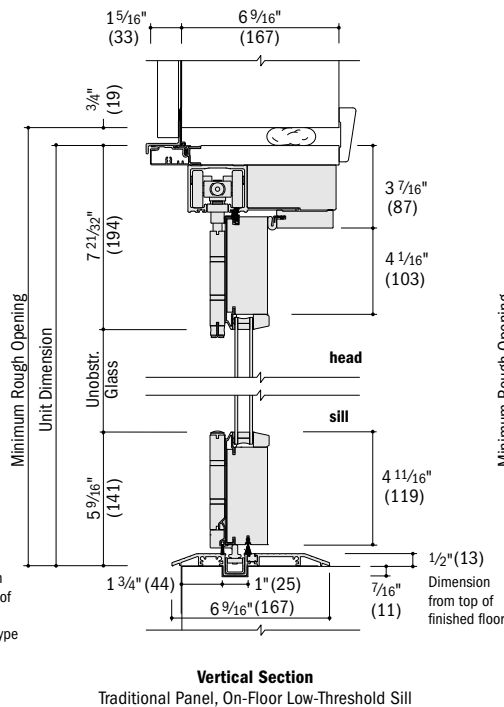
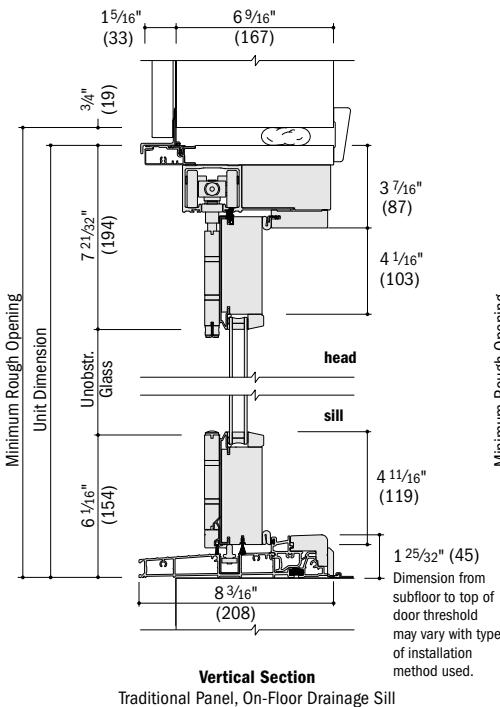
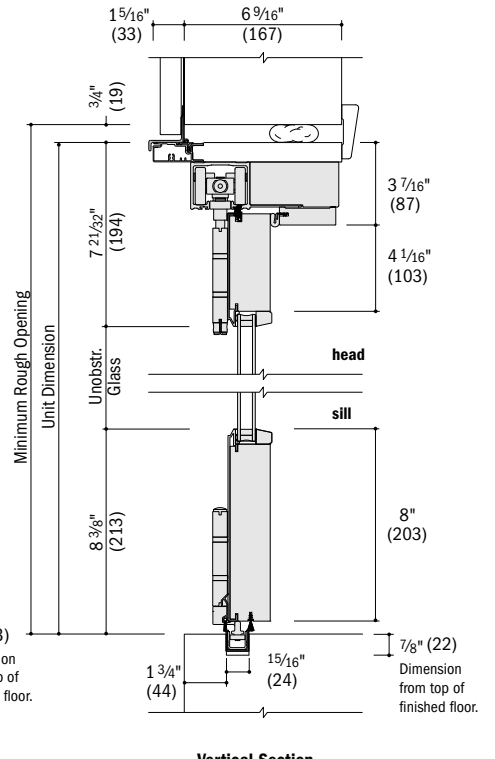
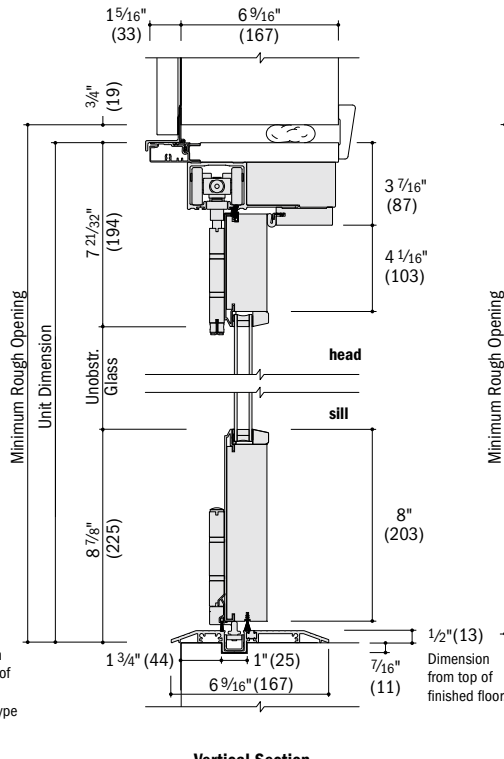
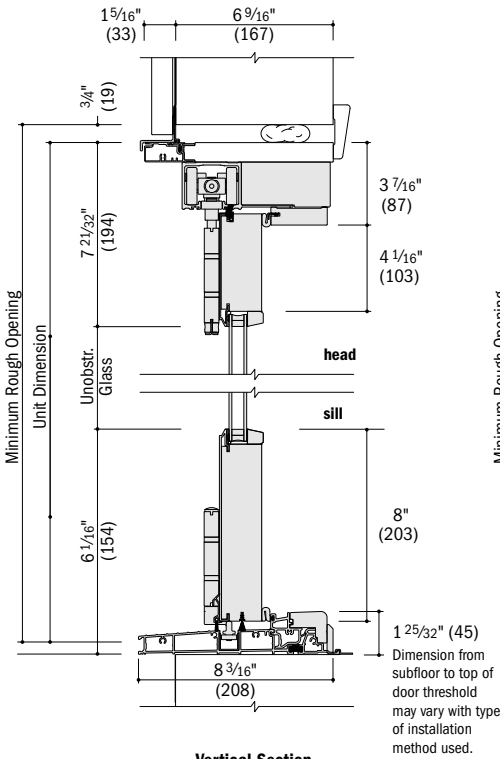
Passive Panel-Active Panel or Active Panel-Passive Panel astragals are used for doors with two-direction panel operation and an odd-odd number of panels. Example: **5L3R**



FOLDING OUTSWING DOORS

Folding Doors - Traditional Panel Details

Scale 1 1/2" (38) = 1'-0" (305) – 1:8



• 6 9/16" (167) jamb depth measurement is from back side of installation flange to inside edge of door frame.

• Light-colored areas are included with the door unit. Dark-colored areas are additional Andersen® parts required to complete door assembly as shown and must be specified.

• **Rough openings may need to be increased to allow for use of building wraps, flashing, sill panning, brackets, fasteners or other items. See installation information on page 37.**

• Details are for illustration only and are not intended to represent complete or appropriate product installation methods or materials for application. Refer to product installation guide.

• Dimensions in parentheses are in millimeters.

• Clad folding door details are shown. Wood exterior folding doors are also available.

• Traditional panel with 12" (305) bottom rail, not shown, are also available.

PERFORMANCE STANDARDS

The Window and Door Manufacturers Association (WDMA), the American Architectural Manufacturers Association (AAMA) and the Canadian Standards Association (CSA) jointly release the North American Fenestration Standard/Specification for Windows, Doors and Skylights (NAFS-11) where "-11" refers to the most recent publication year of 2011. NAFS is also referred to as AAMA/WDMA/CSA 101/I.S.2/A440, which is how the International Code Council (ICC) lists this standard in the 2012 and 2015 International Residential Code (IRC) and International Building Code (IBC) as the means to indicate the window, door or skylights design pressure rating used to determine compliance to the jobsite design pressure requirements.

A product only achieves a "Performance Grade" or "PG" rating when it complies with all of the NAFS performance requirements such as ease of operation, air infiltration resistance, resistance to water penetration and resistance to forced entry, etc. A "Design Pressure Rating" or "DP" rating only depicts the design and structural load performance.

Performance Classes

The NAFS Standard/Specification defines requirements for four performance classes. Performance classes are designated R, LC, CW, and AW. This classification system provides for several levels of performance. Product selection is always based on the performance and building code requirements of the particular project.

Elements of Performance Grade (PG) Designations

In order to qualify for a given performance grade (PG), test specimens need to pass all required performance tests for the following, in addition to all required auxiliary (durability) and applicable material/component tests (not shown here) for the applicable product type and desired performance class:

- (a) Operating force (if applicable):** Maximum operating force varies by product type and performance class.
- (b) Air leakage resistance:** Tested in accordance with ASTM E283 at a test pressure of 1.57 psf. Allowable air infiltration for R, LC and CW class designations is 0.3 cubic feet per minute per square foot of frame (cfm/ft²).
- (c) Water penetration resistance:** Tested in accordance with ASTM E547 with the specified test pressure applied per NAFS-11. Test consists of four cycles. Each cycle consists of five minutes with pressure applied and one minute with the pressure released, during which the water spray is continuously applied. Water spray shall be uniformly applied at a constant rate of 5 U.S. gal/ft² · hr.
- (d) Uniform load deflection test:** Tested in accordance with ASTM E330 for both positive and negative pressure (pressure defined by NAFS-11) with the load maintained for a period of 10 seconds. The test specimen shall be evaluated for deflection during each load for permanent damage after each load and for any effects on the normal operation of the specimen. *Starting with the 2008 version of NAFS, design pressure (DP) will only represent the "uniform load deflection test".*
- (e) Uniform load structural test:** Tested in accordance with ASTM E330 for both positive and negative pressure (pressure defined by NAFS-11) with the load maintained for a period of 10 seconds. After loads are removed, there shall be no permanent deformation in excess of 0.4% of its span and no damage to the unit, which would make it inoperable.
- (f) Forced-entry resistance (if applicable):** Tested in accordance with ASTM F588 (windows), F476 (swinging doors) and F842 (sliding doors) at a performance level 10 rating.


Performance Grades (PG) & Corresponding Test Pressures (psf)

Performance Class/ Performance Grade		Air Infiltration Test Pressure		Maximum Allowable Air Infiltration/Exfiltration Rate		Water Penetration Resistance Test Pressure		Design Pressure		Structural Test Pressure	
R	LC	Pa	psf	L/s-m ²	cfm/ft ²	Pa	psf	Pa	psf	Pa	psf
15	-	75	1.57	1.5	0.30	140	2.92	720	15.04	1080	22.56
20	-	75	1.57	1.5	0.30	150	3.13	960	20.05	1440	30.08
25	25	75	1.57	1.5	0.30	180	3.76	1200	25.06	1800	37.59
30	30	75	1.57	1.5	0.30	220	4.59	1440	30.08	2160	45.11
35	35	75	1.57	1.5	0.30	260	5.43	1680	35.09	2520	52.63
40	40	75	1.57	1.5	0.30	290	6.06	1920	40.10	2880	60.15
45	45	75	1.57	1.5	0.30	330	6.89	2160	45.11	3240	67.67
50	50	75	1.57	1.5	0.30	360	7.52	2400	50.13	3600	75.19
55	55	75	1.57	1.5	0.30	400	8.35	2640	55.14	3960	82.71
60	60	75	1.57	1.5	0.30	440	9.19	2880	60.15	4320	90.23
65	65	75	1.57	1.5	0.30	470	9.82	3120	65.16	4680	97.74
70	70	75	1.57	1.5	0.30	510	10.65	3360	70.18	5040	105.26
75	75	75	1.57	1.5	0.30	540	11.28	3600	75.19	5400	112.78
80	80	75	1.57	1.5	0.30	580	12.11	3840	80.20	5760	120.30
85	85	75	1.57	1.5	0.30	580	12.11	4080	85.21	6120	127.82
90	90	75	1.57	1.5	0.30	580	12.11	4320	90.23	6480	135.34
95	95	75	1.57	1.5	0.30	580	12.11	4560	95.24	6840	142.86
100	100	75	1.57	1.5	0.30	580	12.11	4800	100.25	7200	150.38

HALLMARK CERTIFICATION

The Window and Door Manufacturers Association (WDMA)-sponsored Hallmark Certification Program provides manufacturers with certification to the AAMA/WDMA/CSA 101/I.S.2/A440-11 Standard and is designed to provide builders, architects, specifiers and consumers with an easily recognizable means of identifying products that have been manufactured and tested in accordance with NAFS (AAMA/WDMA/CSA 101/I.S.2/A440) industry standards and other applicable performance standards. Conformance is determined by periodic in-plant inspections by a third-party administrator. Inspections include auditing licensee quality control procedures and processes and a review to confirm products are manufactured in accordance with the appropriate performance standards. Periodic testing of representative product constructions and components by an independent testing laboratory is also required. When all of the program requirements are met, the licensee is authorized to use the WDMA Hallmark registered logo on their certification label as a means of identifying products and their performance ratings.

Products successfully obtaining Hallmark Certification will be labeled with a three-part code, which includes performance class, performance grade and size tested. In addition to this mandatory requirement, you are allowed to list the design pressure on a separate line.

 WDMA Hallmark Certified www.wdma.com	Andersen Corporation MULTIGLIDE DOOR Manufacturer stipulates certification as indicated below.					
	<table border="1"> <thead> <tr> <th>STANDARD</th> <th>RATING</th> </tr> </thead> <tbody> <tr> <td>AAMA/WDMA/CSA 101/I.S.2/A440-11</td> <td>Class LC⁽¹⁾ - PG30⁽²⁾ - Size Tested 178.8 x 96.0 in.⁽³⁾ DP+40/-40⁽⁴⁾</td> </tr> <tr> <td>AAMA/WDMA/CSA 101/I.S.2/A440-08</td> <td>Class LC⁽¹⁾ - PG30⁽²⁾ - Size Tested 178.8 x 96.0 in.⁽³⁾ DP+40/-40⁽⁴⁾</td> </tr> </tbody> </table>	STANDARD	RATING	AAMA/WDMA/CSA 101/I.S.2/A440-11	Class LC ⁽¹⁾ - PG30 ⁽²⁾ - Size Tested 178.8 x 96.0 in. ⁽³⁾ DP+40/-40 ⁽⁴⁾	AAMA/WDMA/CSA 101/I.S.2/A440-08
STANDARD	RATING					
AAMA/WDMA/CSA 101/I.S.2/A440-11	Class LC ⁽¹⁾ - PG30 ⁽²⁾ - Size Tested 178.8 x 96.0 in. ⁽³⁾ DP+40/-40 ⁽⁴⁾					
AAMA/WDMA/CSA 101/I.S.2/A440-08	Class LC ⁽¹⁾ - PG30 ⁽²⁾ - Size Tested 178.8 x 96.0 in. ⁽³⁾ DP+40/-40 ⁽⁴⁾					

- (1) - Performance Class
- (2) - Performance Grade
- (3) - Size Tested
- (4) - Design Pressure

In the example above, the performance class is LC, the performance grade (PG) is 30 pounds per square foot (psf) and the size tested is 178.8" x 96.0". What this means to the specifier is, based on the performance grade chart, the laboratory-tested air infiltration was less than 0.3 cfm/ft² (test pressure is always 1.57 psf and the allowable airflow is 0.3 cfm/ft²), the product tested successfully resisted a laboratory water penetration test at a test pressure of 3.0 psf, the product tested successfully withstood a laboratory positive test pressure of 30 psf and a laboratory negative test pressure of 30 psf and the product tested passed the laboratory requirements for operational force and forced-entry resistance. Based on this test, all products of the same design that are smaller than the tested size can be labeled with this product performance rating.

IMPORTANT

Building codes prescribe design pressure based on a variety of criteria (i.e. windspeed zone, building height, building type, jobsite exposure, etc.). Design pressures derived from Performance Grade (PG) test requirements should be used to determine compliance to building code required design pressures. Structural test pressures, which are tested at 1.5 times the design pressure, should **not** be used for determining design pressure code compliance. In the example above, a PG 30 performance grade rating, which passes a 30 psf design pressure, should be used for determining code compliance, not the structural test pressure of 30 psf.

If you need further details about how Andersen® products perform to this standard, contact your Andersen supplier.

If you need further information about the AAMA/WDMA/CSA 101/I.S.2/A440-11 standard or the Hallmark Certification Program, please contact: WDMA, 330 N. Wabash Avenue Suite 2000, Chicago, IL 60611. Phone: 312-673-4828 Web: wdma.com

Where designated, Andersen products are tested, certified and labeled to the requirements of the Hallmark Certification Program. Actual performance may vary based on variations in manufacturing, shipping, installation, environmental conditions and conditions of use.

PRODUCT PERFORMANCE

Performance Grade and Air Infiltration Ratings

For current performance information, please visit andersenwindows.com.

Andersen® Product	Panel Type	Frame Type	Sill Type	AAMA/WDMA/CSA 101/IS2/A440-08 and -11 Performance Grade (PG)	+/- Corresponding Design Pressure (DP)	Air Infiltration CFM/FT ²	Water Test Pressure SPF
MultiGlide™ Doors							
S1L-1RS*	Traditional Clad	Non-Thermal	On-Floor Drainage**	Class LC-PG30 Size Tested 191.0" x 95.5"	30/30	0.19	4.5
S2L*	Contemporary Clad	Non-Thermal	On-Floor Drainage**	Class LC-PG30 Size Tested 178.8" x 95.5"	30/30	0.19	4.5
S2L*	Contemporary Clad	Thermal Controlled	On-Floor Drainage**	Class LC-PG30 Size Tested 178.8" x 95.5"	40/40	0.20	4.5
3R*	Contemporary Clad	Thermal Controlled	On-Floor Drainage**	Class LC-PG30 Size Tested 191.0" x 119.5"	30/30	0.16	4.5
3R*	Contemporary Aluminum	Non-Thermal	On-Floor Drainage**	Class LC-PG20 Size Tested 191.0" x 119.5"	20/20	0.16	4.5
Folding Outswing Doors							
3L1R†	Contemporary	Thermal Controlled	Standard	Class LC-PG30 Size Tested 159.8" x 119.5"††	30/30	0.08	7.5‡
3L1R†	Contemporary	Thermal Controlled	Standard	Class LC-PG40 Size Tested 159.8" x 95.5"††	40/40	0.08	7.5‡
1L3R†	Traditional	Thermal Controlled	Standard	Class LC-PG40 Size Tested 159.8" x 95.5"††	40/40	0.06	6.0
2L2R	Traditional	Thermal Controlled	Standard	Class LC-PG40 Size Tested 159.8" x 95.5"††	40/40	0.05	6.0
1L3R†	Traditional	Thermal Controlled	Standard	Class LC-PG30 Size Tested 159.8" x 119.5"††	30/30	0.06	4.5
2L2R	Traditional	Thermal Controlled	Standard	Class LC-PG30 Size Tested 159.8" x 119.5"††	30/30	0.05	4.5

- * "Performance Grade (PG)" ratings may vary from tested performance rating for larger or smaller units of a particular type. Some units may not be rated.
- This data is accurate as of June 2019. Due to ongoing product changes, updated test results or new industry standards, this data may change over time.
- Where designated, Andersen® products are certified and labeled to the requirements of the Hallmark Certification Program. Actual performance may vary based on variations in manufacturing, shipping, installation, environmental conditions and conditions of use.
- Contact your Andersen supplier for more information.
- *Values are for interior stacking doors. Contact your Andersen supplier for availability of exterior stacking door values.
- **Optional raised threshold for on-floor drainage sill must be used for performance ratings.
- †Tested with standard multi-point hardware.
- ††Actual door size tested; certification maximum door size 288" (7315mm) x 119 1/2" (3035mm).
- ‡Tested with optional high profile sill stop. Test value without optional high profile sill stop is 6.0 P.S.F.

Sound Transmission Ratings

For current performance information, please visit andersenwindows.com.

Andersen® Product	Sound Transmission Class (STC)	Outdoor/Indoor Transmission Class (OITC)
MultiGlide™ Doors		
S1L-1RS	29	24
S2L	29	24
S2L	29	24
3R	29	24
3R	29	24
Folding Outswing Doors		
3L1R	30	24
3L1R	30	24
1L3R	30	24
2L2R	30	24
1L3R	30	24
2L2R	30	24

- "Sound Transmission Class (STC)" & "Outdoor/Indoor Transmission Class (OITC)" ratings are for individual units based on independent tests and represent entire unit.
- This data is accurate as of June 2019. Due to ongoing product changes, updated test results or new industry standards, this data may change over time.

Center of Glass Performance Data

For current performance information, please visit andersenwindows.com.

Class Type	VT ¹	SC ²	SHGC ³	RHG ⁴	Tuv ⁵	Tdw ⁶	%RH @ center ⁷	IGST ⁸
MultiGlide™ Doors								
Low-E4® Dual-Pane Tempered	72%	0.48	0.41	98.2	16%	33%	60.9%	55.7°F
Low-E4 Sun Dual-Pane Tempered	40%	0.29	0.25	61.1	16%	24%	60.3%	55.4°F
Low-E4 SmartSun™ Dual-Pane Tempered	65%	0.31	0.27	65.6	5%	21%	61.8%	56.1°F
Low-E4 Triple-Pane Tempered	66%	0.44	0.38	91.6	14%	30%	64.3%	57.2°F
Low-E4 SmartSun Triple-Pane Tempered	59%	0.29	0.26	62.0	4%	19%	64.8%	57.4°F
Folding Outswing Doors								
Low-E4® Dual-Pane Tempered	72%	0.48	0.41	310	16%	33%	61%	56°F
Low-E4 Sun Dual-Pane Tempered	40%	0.29	0.25	193	16%	24%	59%	55°F
Low-E4 SmartSun™ Dual-Pane Tempered	65%	0.31	0.27	207	5%	21%	61%	56°F
Low-E4 Triple-Pane Tempered	66%	0.44	0.38	91.6	14%	30%	64.3%	57.2°F
Low-E4 SmartSun Triple-Pane Tempered	59%	0.29	0.26	62.0	4%	19%	64.8%	57.4°F

- "Low-E4", "Low-E4" SmartSun™ and "Low-E4" Sun are Andersen trademarks for "Low-E" glass.
- Based on NFRC testing/simulation conditions using Windows v7.3.4.0 and NFRC validated spectral data. 0°F outside temperature, 70°F inside temperature and a 15 mph wind.
- 1) Visible Transmittance (VT) measures how much light comes through the glass. The higher the value, from 0 to 1, the more daylight the glass lets in. Visible Transmittance is measured over the 380 to 760 nanometer portion of the solar spectrum.
- 2) Shading Coefficient defines the amount of heat gain through the glass compared to a single light of clear 1/8" (3 mm) glass.
- 3) Solar Heat Gain Coefficient (SHGC) defines the fraction of solar radiation admitted through the glass both directly transmitted and absorbed and subsequently released inward. The lower the value, the less heat is transmitted through the glass.
- 4) Relative Heat Gain is the amount of heat gain through a glazing incorporating U-Factor and Solar Heat Gain Coefficient.
- 5) Transmission Ultra-Violet Energy (TUV). The transmission of short-wave energy in the 300-380 nanometer portion of the solar spectrum. The energy can cause fabric fading.
- 6) Transmission Damage Function (TDW). The transmission of UV and visible light energy in the 300-600 nanometer portion of the solar spectrum. The value includes both the UV and visible light energy that can cause fabric fading. This rating has also been referred to as the Krochmann Damage Function. This rating better predicts fading potential than UV transmission alone. The lower the Damage Function rating, the less transmission of short-wave energy through the glass that can potentially cause fabric fading. Fabric type is also a key component of fading potential.
- 7) Percent relative humidity before condensation occurs at the center of glass, taken using center of glass temperature.
- 8) Inside glass surface temperatures are taken at the center of glass.
- This data is accurate as of June 2019. Due to ongoing product changes, updated test results or new industry standards, this data may change over time. Contact your Andersen supplier for current performance information or upgrade options.
- Contact your Andersen supplier or visit andersenwindows.com/nfrc for center of glass performance data on windows with laminated glass, patterned glass, tempered glass and products ordered with capillary breather tubes.

Andersen® NFRC Certified Total Unit Performance – Dual-Pane Glass

For current performance information, please visit andersenwindows.com.

Refer to notes on page 37 for important information on performance data.

Andersen® Product	High-Performance Tempered Glass Type	U-Factor ¹	SHGC ²	VT ³	
MultiGlide™ Door On-Floor Sill, Thermally Controlled Frame, Traditional Clad Wood Panel AND-N-156	Low-E4*	Without Grilles	0.30	0.27	0.46
		Simulated Divided Light Grilles	0.30	0.24	0.40
		Finelight™ Grilles	0.32	0.24	0.40
		Full Divided Light Grilles	0.32	0.24	0.40
	Low-E4 w/HeatLock®	Without Grilles	0.27	0.27	0.45
		Simulated Divided Light Grilles	0.27	0.23	0.39
		Finelight™ Grilles	0.28	0.23	0.39
		Full Divided Light Grilles	0.30	0.23	0.39
	Low-E4 Sun	Without Grilles	0.31	0.17	0.26
		Simulated Divided Light Grilles	0.31	0.15	0.22
		Finelight™ Grilles	0.32	0.15	0.22
		Full Divided Light Grilles	0.32	0.15	0.22
	Low-E4 SmartSun™	Without Grilles	0.30	0.18	0.42
		Simulated Divided Light Grilles	0.30	0.16	0.36
		Finelight™ Grilles	0.31	0.16	0.36
		Full Divided Light Grilles	0.32	0.16	0.36
	Low-E4 SmartSun w/HeatLock	Without Grilles	0.26	0.18	0.41
		Simulated Divided Light Grilles	0.26	0.16	0.35
		Finelight™ Grilles	0.28	0.16	0.35
		Full Divided Light Grilles	0.29	0.16	0.35
	Low-E4 PassiveSun™	Without Grilles	0.31	0.45	0.51
		Simulated Divided Light Grilles	0.31	0.39	0.44
		Finelight™ Grilles	0.32	0.39	0.44
		Full Divided Light Grilles	0.33	0.39	0.44
MultiGlide™ Door Flush Sill, Non Thermally Controlled Frame, Traditional Clad Wood Panel AND-N-158	Low-E4*	Without Grilles	0.40	0.28	0.46
		Simulated Divided Light Grilles	0.40	0.25	0.40
		Finelight™ Grilles	0.42	0.25	0.40
		Full Divided Light Grilles	0.42	0.25	0.40
	Low-E4 w/HeatLock®	Without Grilles	0.37	0.27	0.45
		Simulated Divided Light Grilles	0.37	0.24	0.39
		Finelight™ Grilles	0.38	0.24	0.39
		Full Divided Light Grilles	0.40	0.24	0.39
	Low-E4 Sun	Without Grilles	0.41	0.18	0.26
		Simulated Divided Light Grilles	0.41	0.16	0.22
		Finelight™ Grilles	0.42	0.16	0.22
		Full Divided Light Grilles	0.42	0.16	0.22
	Low-E4 SmartSun™	Without Grilles	0.40	0.19	0.42
		Simulated Divided Light Grilles	0.40	0.17	0.36
		Finelight™ Grilles	0.41	0.17	0.36
		Full Divided Light Grilles	0.42	0.17	0.36
	Low-E4 SmartSun w/HeatLock	Without Grilles	0.36	0.19	0.41
		Simulated Divided Light Grilles	0.36	0.16	0.35
		Finelight™ Grilles	0.38	0.16	0.35
		Full Divided Light Grilles	0.39	0.16	0.35
	Low-E4 PassiveSun™	Without Grilles	0.41	0.45	0.51
		Simulated Divided Light Grilles	0.41	0.40	0.44
		Finelight™ Grilles	0.42	0.40	0.44
		Full Divided Light Grilles	0.43	0.40	0.44
MultiGlide™ Door On-Floor Sill, Thermally Controlled Frame, Contemporary Clad Wood Panel AND-N-156	Low-E4*	Without Grilles	0.30	0.31	0.54
		Simulated Divided Light Grilles	0.30	0.28	0.47
		Finelight™ Grilles	0.30	0.28	0.47
		Full Divided Light Grilles	0.32	0.28	0.47
	Low-E4 w/HeatLock®	Without Grilles	0.26	0.31	0.52
		Simulated Divided Light Grilles	0.26	0.27	0.46
		Finelight™ Grilles	0.26	0.27	0.46
		Full Divided Light Grilles	0.29	0.27	0.46
	Low-E4 Sun	Without Grilles	0.31	0.19	0.30
		Simulated Divided Light Grilles	0.31	0.17	0.26
		Finelight™ Grilles	0.31	0.17	0.26
		Full Divided Light Grilles	0.32	0.17	0.26
	Low-E4 SmartSun™	Without Grilles	0.30	0.21	0.48
		Simulated Divided Light Grilles	0.30	0.19	0.42
		Finelight™ Grilles	0.30	0.19	0.42
		Full Divided Light Grilles	0.32	0.19	0.42
	Low-E4 SmartSun w/HeatLock	Without Grilles	0.26	0.20	0.47
		Simulated Divided Light Grilles	0.26	0.18	0.41
		Finelight™ Grilles	0.26	0.18	0.41
		Full Divided Light Grilles	0.29	0.18	0.41
	Low-E4 PassiveSun™	Without Grilles	0.31	0.52	0.59
		Simulated Divided Light Grilles	0.31	0.45	0.51
		Finelight™ Grilles	0.32	0.39	0.44
		Full Divided Light Grilles	0.33	0.45	0.51

Andersen® Product	High-Performance Tempered Glass Type	U-Factor ¹	SHGC ²	VT ³	
MultiGlide™ Door On-Floor Sill, Non-Thermally Controlled Frame, Contemporary Clad Wood Panel AND-N-158	Low-E4*	Without Grilles	0.41	0.32	0.54
		Simulated Divided Light Grilles	0.41	0.28	0.47
		Finelight™ Grilles	0.41	0.28	0.47
		Full Divided Light Grilles	0.43	0.28	0.47
	Low-E4 w/HeatLock®	Without Grilles	0.37	0.31	0.52
		Simulated Divided Light Grilles	0.37	0.28	0.46
		Finelight™ Grilles	0.37	0.28	0.46
		Full Divided Light Grilles	0.40	0.28	0.46
	Low-E4 Sun	Without Grilles	0.41	0.20	0.30
		Simulated Divided Light Grilles	0.41	0.18	0.26
		Finelight™ Grilles	0.41	0.18	0.26
		Full Divided Light Grilles	0.43	0.18	0.26
	Low-E4 SmartSun™	Without Grilles	0.40	0.21	0.48
		Simulated Divided Light Grilles	0.40	0.19	0.42
		Finelight™ Grilles	0.40	0.19	0.42
		Full Divided Light Grilles	0.42	0.19	0.42
	Low-E4 SmartSun w/HeatLock	Without Grilles	0.36	0.21	0.47
		Simulated Divided Light Grilles	0.36	0.19	0.41
		Finelight™ Grilles	0.36	0.19	0.41
		Full Divided Light Grilles	0.39	0.19	0.41
	Low-E4 PassiveSun™	Without Grilles	0.41	0.52	0.59
		Simulated Divided Light Grilles	0.41	0.46	0.51
		Finelight™ Grilles	0.41	0.46	0.51
		Full Divided Light Grilles	0.43	0.46	0.51
MultiGlide™ Door Flush Sill, Non Thermally Controlled Frame, Contemporary Aluminum Panel AND-N-157	Low-E4*	Without Grilles	0.56	0.33	0.54
		Simulated Divided Light Grilles	0.56	0.29	0.47
		Finelight™ Grilles	0.57	0.29	0.47
		Full Divided Light Grilles	0.58	0.29	0.47
	Low-E4 w/HeatLock®	Without Grilles	0.52	0.32	0.53
		Simulated Divided Light Grilles	0.52	0.29	0.46
		Finelight™ Grilles	0.53	0.29	0.46
		Full Divided Light Grilles	0.55	0.29	0.46
	Low-E4 Sun	Without Grilles	0.56	0.21	0.30
		Simulated Divided Light Grilles	0.56	0.18	0.26
		Finelight™ Grilles	0.58	0.18	0.26
		Full Divided Light Grilles	0.58	0.18	0.26
	Low-E4 SmartSun™	Without Grilles	0.55	0.22	0.48
		Simulated Divided Light Grilles	0.55	0.20	0.42
		Finelight™ Grilles	0.57	0.20	0.42
		Full Divided Light Grilles	0.57	0.20	0.42
	Low-E4 SmartSun w/HeatLock	Without Grilles	0.51	0.22	0.47
		Simulated Divided Light Grilles	0.51	0.19	0.41
		Finelight™ Grilles	0.53	0.19	0.41
		Full Divided Light Grilles	0.55	0.19	0.41
	Low-E4 PassiveSun™	Without Grilles	0.57	0.53	0.59
		Simulated Divided Light Grilles	0.57	0.47	0.52
		Finelight™ Grilles	0.58	0.47	0.52
		Full Divided Light Grilles	0.58	0.47	0.52
Folding Outswing Door Traditional Panel, 8" Bottom Rail AND-N-153	Low-E4*	Without Grilles	0.36	0.26	0.44
		Simulated Divided Light Grilles	0.36	0.23	0.37
		Finelight™ Grilles	0.37	0.23	0.37
		Full Divided Light Grilles	0.37	0.23	0.37
	Low-E4 w/HeatLock®	Without Grilles	0.32	0.26	0.43
		Simulated Divided Light Grilles	0.32	0.22	0.37
		Finelight™ Grilles	0.34	0.22	0.37
		Full Divided Light Grilles	0.34	0.22	0.37
	Low-E4 Sun	Without Grilles	0.36	0.16	0.24
		Simulated Divided Light Grilles	0.36	0.14	0.21
		Finelight™ Grilles	0.37	0.14	0.21
		Full Divided Light Grilles	0.37	0.14	0.21
	Low-E4 SmartSun™	Without Grilles	0.33	0.16	0.24
		Simulated Divided Light Grilles	0.33	0.14	0.20
		Finelight™ Grilles	0.34	0.14	0.20
		Full Divided Light Grilles	0.35	0.14	0.20
	Low-E4 SmartSun w/HeatLock	Without Grilles	0.35	0.18	0.39
		Simulated Divided Light Grilles	0.35	0.15	0.34
		Finelight™ Grilles	0.36	0.15	0.34
		Full Divided Light Grilles	0.36	0.15	0.34
	Low-E4 PassiveSun™	Without Grilles	0.32	0.17	0.38
		Simulated Divided Light Grilles	0.32	0.15	0.33
		Finelight™ Grilles	0.33	0.15	0.33
		Full Divided Light Grilles	0.34	0.15	0.33

*This data is accurate as of June 2019. Due to ongoing product changes, updated test results, or new industry standards or requirements, this data may change over time. Ratings are for sizes specified by NFRC for testing and certification. Ratings may vary depending on use of tempered glass, different grille options, glass with capillary breather tubes for high altitudes, etc.

continued on next page

PRODUCT PERFORMANCE

Andersen® NFRC Certified Total Unit Performance – Dual-Pane Glass (continued)

For current performance information, please visit andersenwindows.com.

Andersen® Product	High-Performance Tempered Glass Type	U-Factor ¹	SHGC ²	VT ³	
Folding Outswing Door Contemporary Panel AND-N-153	Low-E4*	Without Grilles	0.33	0.28	0.48
		Simulated Divided Light Grilles	0.33	0.25	0.41
		Finelight™ Grilles	0.34	0.25	0.41
		Full Divided Light Grilles	0.33	0.25	0.41
	Low-E4 w/HeatLock®	Without Grilles	0.29	0.28	0.47
		Simulated Divided Light Grilles	0.29	0.24	0.41
		Finelight™ Grilles	0.31	0.24	0.41
		Full Divided Light Grilles	0.29	0.24	0.41
	Low-E4 Sun	Without Grilles	0.33	0.18	0.27
		Simulated Divided Light Grilles	0.33	0.16	0.23
		Finelight™ Grilles	0.34	0.16	0.23
		Full Divided Light Grilles	0.33	0.16	0.23
	Low-E4 Sun w/HeatLock	Without Grilles	0.30	0.17	0.26
		Simulated Divided Light Grilles	0.30	0.15	0.23
		Finelight™ Grilles	0.32	0.15	0.23
		Full Divided Light Grilles	0.30	0.15	0.23
	Low-E4 SmartSun™	Without Grilles	0.33	0.19	0.43
		Simulated Divided Light Grilles	0.33	0.17	0.37
		Finelight™ Grilles	0.33	0.17	0.37
		Full Divided Light Grilles	0.33	0.17	0.37
	Low-E4 SmartSun w/HeatLock	Without Grilles	0.29	0.19	0.42
		Simulated Divided Light Grilles	0.29	0.16	0.36
		Finelight™ Grilles	0.31	0.16	0.36
		Full Divided Light Grilles	0.29	0.16	0.36

Andersen® NFRC Certified Total Unit Performance – Triple-Pane Glass

For current performance information, please visit andersenwindows.com.

Andersen® Product	High-Performance Tempered Glass Type	U-Factor ¹	SHGC ²	VT ³	
MultiGlide™ Door On-Floor Sill, Thermally Controlled Frame, Traditional Clad Wood Panel AND-N-156	Low-E4*	Without Grilles	0.28	0.25	0.42
		Simulated Divided Light Grilles	0.28	0.22	0.36
		Finelight™ Grilles	-	-	-
		Full Divided Light Grilles	-	-	-
	Low-E4 Enhanced	Without Grilles	0.25	0.25	0.41
		Simulated Divided Light Grilles	0.25	0.22	0.35
		Finelight™ Grilles	-	-	-
		Full Divided Light Grilles	-	-	-
	Low-E4 Enhanced w/HeatLock®	Without Grilles	0.23	0.24	0.40
		Simulated Divided Light Grilles	0.23	0.21	0.34
		Finelight™ Grilles	-	-	-
		Full Divided Light Grilles	-	-	-
	Low-E4 SmartSun™	Without Grilles	0.28	0.17	0.38
		Simulated Divided Light Grilles	0.28	0.15	0.33
		Finelight™ Grilles	-	-	-
		Full Divided Light Grilles	-	-	-
	Low-E4 SmartSun Enhanced	Without Grilles	0.25	0.17	0.37
		Simulated Divided Light Grilles	0.25	0.15	0.32
		Finelight™ Grilles	-	-	-
		Full Divided Light Grilles	-	-	-
	Low-E4 SmartSun Enhanced w/HeatLock	Without Grilles	0.23	0.16	0.36
		Simulated Divided Light Grilles	0.23	0.14	0.31
		Finelight™ Grilles	-	-	-
		Full Divided Light Grilles	-	-	-
MultiGlide™ Door Flush Sill, Non Thermally Controlled Frame, Traditional Clad Wood Panel AND-N-158	Low-E4*	Without Grilles	0.38	0.26	0.42
		Simulated Divided Light Grilles	0.35	0.23	0.36
		Finelight™ Grilles	-	-	-
		Full Divided Light Grilles	-	-	-
	Low-E4 Enhanced	Without Grilles	0.35	0.25	0.41
		Simulated Divided Light Grilles	0.35	0.22	0.35
		Finelight™ Grilles	-	-	-
		Full Divided Light Grilles	-	-	-
	Low-E4 Enhanced w/HeatLock	Without Grilles	0.33	0.24	0.40
		Simulated Divided Light Grilles	0.33	0.21	0.34
		Finelight™ Grilles	-	-	-
		Full Divided Light Grilles	-	-	-
	Low-E4 SmartSun™	Without Grilles	0.38	0.18	0.38
		Simulated Divided Light Grilles	0.38	0.16	0.33
		Finelight™ Grilles	-	-	-
		Full Divided Light Grilles	-	-	-
	Low-E4 SmartSun Enhanced	Without Grilles	0.35	0.17	0.37
		Simulated Divided Light Grilles	0.35	0.15	0.32
		Finelight™ Grilles	-	-	-
		Full Divided Light Grilles	-	-	-
	Low-E4 SmartSun Enhanced w/HeatLock	Without Grilles	0.33	0.17	0.36
		Simulated Divided Light Grilles	0.33	0.15	0.31
		Finelight™ Grilles	-	-	-
		Full Divided Light Grilles	-	-	-

Refer to notes on page 37 for important information on performance data.

Andersen® Product	High-Performance Tempered Glass Type	U-Factor ¹	SHGC ²	VT ³	
MultiGlide™ Door On-Floor Sill, Thermally Controlled Frame, Contemporary Clad Wood Panel AND-N-156	Low-E4*	Without Grilles	0.28	0.29	0.49
		Simulated Divided Light Grilles	0.28	0.26	0.43
		Finelight™ Grilles	-	-	-
		Full Divided Light Grilles	-	-	-
	Low-E4 Enhanced	Without Grilles	0.25	0.25	0.41
		Simulated Divided Light Grilles	0.24	0.25	0.41
		Finelight™ Grilles	-	-	-
		Full Divided Light Grilles	-	-	-
	Low-E4 Enhanced w/HeatLock®	Without Grilles	0.22	0.27	0.46
		Simulated Divided Light Grilles	0.22	0.24	0.40
		Finelight™ Grilles	-	-	-
		Full Divided Light Grilles	-	-	-
	Low-E4 SmartSun™	Without Grilles	0.27	0.20	0.44
		Simulated Divided Light Grilles	0.27	0.17	0.38
		Finelight™ Grilles	-	-	-
		Full Divided Light Grilles	-	-	-
	Low-E4 SmartSun Enhanced	Without Grilles	0.24	0.19	0.42
		Simulated Divided Light Grilles	0.24	0.17	0.37
		Finelight™ Grilles	-	-	-
		Full Divided Light Grilles	-	-	-
	Low-E4 SmartSun Enhanced w/HeatLock	Without Grilles	0.22	0.18	0.41
		Simulated Divided Light Grilles	0.22	0.16	0.36
		Finelight™ Grilles	-	-	-
		Full Divided Light Grilles	-	-	-
MultiGlide™ Door On-Floor Sill, Non Thermally Controlled Frame, Contemporary Clad Wood Panel AND-N-156	Low-E4*	Without Grilles	0.38	0.30	0.49
		Simulated Divided Light Grilles	0.38	0.26	0.43
		Finelight™ Grilles	-	-	-
		Full Divided Light Grilles	-	-	-
	Low-E4 Enhanced	Without Grilles	0.34	0.29	0.47
		Simulated Divided Light Grilles	0.34	0.26	0.41
		Finelight™ Grilles	-	-	-
		Full Divided Light Grilles	-	-	-
	Low-E4 Enhanced w/HeatLock®	Without Grilles	0.32	0.28	0.46
		Simulated Divided Light Grilles	0.32	0.25	0.40
		Finelight™ Grilles	-	-	-
		Full Divided Light Grilles	-	-	-
	Low-E4 SmartSun™	Without Grilles	0.38	0.20	0.44
		Simulated Divided Light Grilles	0.38	0.18	0.38
		Finelight™ Grilles	-	-	-
		Full Divided Light Grilles	-	-	-
	Low-E4 SmartSun Enhanced	Without Grilles	0.34	0.20	0.42
		Simulated Divided Light Grilles	0.34	0.17	0.37
		Finelight™ Grilles	-	-	-
		Full Divided Light Grilles	-	-	-
	Low-E4 SmartSun Enhanced w/HeatLock	Without Grilles	0.32	0.19	0.41
		Simulated Divided Light Grilles	0.32	0.17	0.36
		Finelight™ Grilles	-	-	-
		Full Divided Light Grilles	-	-	-
MultiGlide™ Door Flush Sill, Non Thermally Controlled Frame, Contemporary Aluminum Panel AND-N-157	Low-E4*	Without Grilles	0.53	0.30	0.49
		Simulated Divided Light Grilles	0.53	0.27	0.43
		Finelight™ Grilles	-	-	-
		Full Divided Light Grilles	-	-	-
	Low-E4 Enhanced	Without Grilles	0.49	0.30	0.47
		Simulated Divided Light Grilles	0.49	0.26	0.41
		Finelight™ Grilles	-	-	-
		Full Divided Light Grilles	-	-	-
	Low-E4 Enhanced w/HeatLock®	Without Grilles	0.47	0.29	0.46
		Simulated Divided Light Grilles	0.47	0.25	0.40
		Finelight™ Grilles	-	-	-
		Full Divided Light Grilles	-	-	-
	Low-E4 SmartSun™	Without Grilles	0.52	0.21	0.44
		Simulated Divided Light Grilles	0.52	0.19	0.39
		Finelight™ Grilles	-	-	-
		Full Divided Light Grilles	-	-	-
	Low-E4 SmartSun Enhanced	Without Grilles	0.49	0.20	0.43
		Simulated Divided Light Grilles	0.49	0.18	0.37
		Finelight™ Grilles	-	-	-
		Full Divided Light Grilles	-	-	-
	Low-E4 SmartSun Enhanced w/HeatLock	Without Grilles	0.47	0.20	0.42
		Simulated Divided Light Grilles	0.47	0.18	0.36
		Finelight™ Grilles	-	-	-
		Full Divided Light Grilles	-	-	-

continued on next page

*This data is accurate as of June 2019. Due to ongoing product changes, updated test results, or new industry standards or requirements, this data may change over time. Ratings are for sizes specified by NFRC for testing and certification. Ratings may vary depending on use of tempered glass, different grille options, glass with capillary breather tubes for high altitudes, etc.

Andersen® NFRC Certified Total Unit Performance – Triple-Pane Glass (continued)
 For current performance information, please visit andersenwindows.com.

Andersen® Product	High-Performance Tempered Glass Type	U-Factor ¹	SHGC ²	VT ³	
Folding Outswing Door Traditional Panel, 8" Bottom Rail AND-N-153	Low-E4*	Without Grilles	0.36	0.23	0.38
		Simulated Divided Light Grilles	0.36	0.20	0.32
		Finelight™ Grilles	-	-	-
		Full Divided Light Grilles	-	-	-
	Low-E4 Enhanced	Without Grilles	0.33	0.23	0.36
		Simulated Divided Light Grilles	0.33	0.20	0.31
		Finelight Grilles	-	-	-
		Full Divided Light Grilles	-	-	-
	Low-E4 Enhanced w/HeatLock®	Without Grilles	0.31	0.22	0.35
		Simulated Divided Light Grilles	0.31	0.19	0.30
		Finelight Grilles	-	-	-
		Full Divided Light Grilles	-	-	-
	Low-E4 SmartSun™	Without Grilles	0.35	0.16	0.34
		Simulated Divided Light Grilles	0.35	0.14	0.29
		Finelight Grilles	-	-	-
		Full Divided Light Grilles	-	-	-
	Low-E4 SmartSun Enhanced	Without Grilles	0.33	0.15	0.33
		Simulated Divided Light Grilles	0.33	0.14	0.28
		Finelight Grilles	-	-	-
		Full Divided Light Grilles	-	-	-
	Low-E4 SmartSun Enhanced w/HeatLock	Without Grilles	0.31	0.15	0.32
		Simulated Divided Light Grilles	0.31	0.13	0.27
		Finelight Grilles	-	-	-
		Full Divided Light Grilles	-	-	-
Folding Outswing Door Contemporary Panel AND-N-153	Low-E4*	Without Grilles	0.33	0.26	0.44
		Simulated Divided Light Grilles	0.32	0.23	0.38
		Finelight™ Grilles	-	-	-
		Full Divided Light Grilles	-	-	-
	Low-E4 Enhanced	Without Grilles	0.29	0.26	0.42
		Simulated Divided Light Grilles	0.29	0.23	0.36
		Finelight Grilles	-	-	-
		Full Divided Light Grilles	-	-	-
	Low-E4 Enhanced w/HeatLock®	Without Grilles	0.27	0.25	0.41
		Simulated Divided Light Grilles	0.27	0.22	0.35
		Finelight Grilles	-	-	-
		Full Divided Light Grilles	-	-	-
	Low-E4 SmartSun™	Without Grilles	0.32	0.18	0.39
		Simulated Divided Light Grilles	0.32	0.16	0.34
		Finelight Grilles	-	-	-
		Full Divided Light Grilles	-	-	-
	Low-E4 SmartSun Enhanced	Without Grilles	0.29	0.17	0.38
		Simulated Divided Light Grilles	0.29	0.15	0.33
		Finelight Grilles	-	-	-
		Full Divided Light Grilles	-	-	-
	Low-E4 SmartSun Enhanced w/HeatLock	Without Grilles	0.27	0.17	0.37
		Simulated Divided Light Grilles	0.27	0.15	0.32
		Finelight Grilles	-	-	-
		Full Divided Light Grilles	-	-	-

• "Low-E4*", "Low-E4 SmartSun™", "Low-E4 Sun" and "HeatLock™" are Andersen trademarks for "Low-E" glass.
 1) U-Factor defines the amount of heat loss through the total unit in BTU/hr/ft²·°F. The lower the value, the less heat is lost through the entire product. Window values represent non-tempered glass. Use of tempered glass can increase U-Factor ratings. See andersenwindows.com/nfrc for specific performance values. Door values represent tempered glass. 2) Solar Heat Gain Coefficient (SHGC) defines the fraction of solar radiation admitted through the glass both directly transmitted and absorbed and subsequently released inward. The lower the value, the less heat is transmitted through the product. 3) Visible Transmittance (VT) measures how much light comes through a product (glass and frame). The higher the value, from 0 to 1, the more daylight the product lets in over the product's total unit area. Visible Transmittance is measured over the 380 to 760 nanometer portion of the solar spectrum.
 • NFRC ratings are based on modeling by a third-party agency as validated by an independent test lab in compliance with NFRC program and procedural requirements.
 • This data is accurate as of June 2019. Due to ongoing product changes, updated test results or new industry standards or requirements, this data may change over time. Ratings are for sizes specified by NFRC for testing and certification. Ratings may vary depending on unit size, use of tempered glass, different grille options, glass with capillary breather tubes for high altitudes, etc.
 • Values are for single units with given pane thickness and 1" (25mm) grilles for door products.

IMPORTANCE OF PROPER INSTALLATION

Proper installation and maintenance of Andersen products is essential to attain optimum performance and operation. Andersen strongly recommends consultation with the local supplier or an experienced contractor, architect or structural engineer prior to the installation of any Andersen product. The method of attachment for Andersen products, fastener selection and Ocode compliance is the responsibility of the architect, building owner, contractor, installer and/or consumer.

For the best installation experience, read and follow the installation guide and all cautions and warnings. Have the appropriate tools and materials to complete the project as described in the installation guide.

MultiGlide™ Doors

Because of the array of features and options available for MultiGlide doors, Andersen has developed two distinct tools that are available at andersenwindows.com/multiglide.

The first is a sizing calculator that helps guide how to properly design, specify, and prepare an opening needed for a successful MultiGlide door installation.

From prep, unpacking, installing, adjusting, there are specific steps and procedures that need to be followed; but with over 6,800 possible MultiGlide door configurations, a generic installation guide included in the door package would not be specific enough. Instead, Andersen has developed configurable installation guides that can be created using the installation guide configurator. The tool uses answers to a few simple product and construction questions to create customized installation instructions (in PDF format with multiple language options) and animated videos for each step in the installation procedure. The configured installation guide is customized for your door as well as the construction of the building and includes rough opening preparation, sealing, shimming, fastening, flashing and water management.

Folding Outswing Doors

For folding outswing door installation guides, go to andersenwindows.com. Installation guides are also included with the door along with an installation layout sheet provided to identify where each piece of hardware is located and to identify the proper sequencing of the panels.

The folding outswing door is conveniently packaged for job site delivery and installation.



THE ENVIRONMENT HAS A BUSINESS PARTNER.

Respect for the environment is nothing new at Andersen. For more than a century, it's been part of who we are. Our commitment to recycle and reclaim materials began simply because it was good business. Now it's part of our broader commitment to sustainability and responsible stewardship of all our resources. Andersen is committed to providing you with long-lasting,* energy-efficient windows and patio doors. Visit andersenwindows.com/sustainability for more information.



Andersen® products are certified under the National Fenestration Rating Council's voluntary third-party certification program designed to ensure accurate energy performance ratings and labeling.



The Window & Door Manufacturers Association (WDMA) Hallmark Certification program includes product testing and quality-control process audits to verify that Andersen® windows and doors are produced in conformance with the industry standards for air, water resistance and structural performance.



* Visit andersenwindows.com/warranty for details.
All trademarks where denoted are marks of their respective owners.
"Andersen" and all other marks where denoted are trademarks of Andersen Corporation.
©2019 Andersen Corporation. All rights reserved. 07/19 Part #110009